



URAL spareparts catalog

CARB

edition 2021

Fig. 1

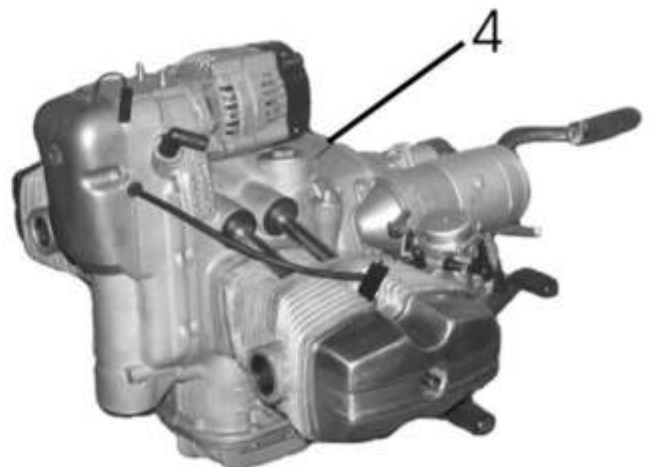
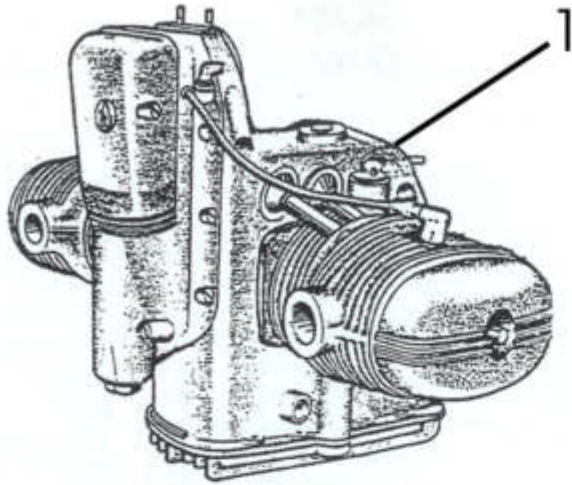
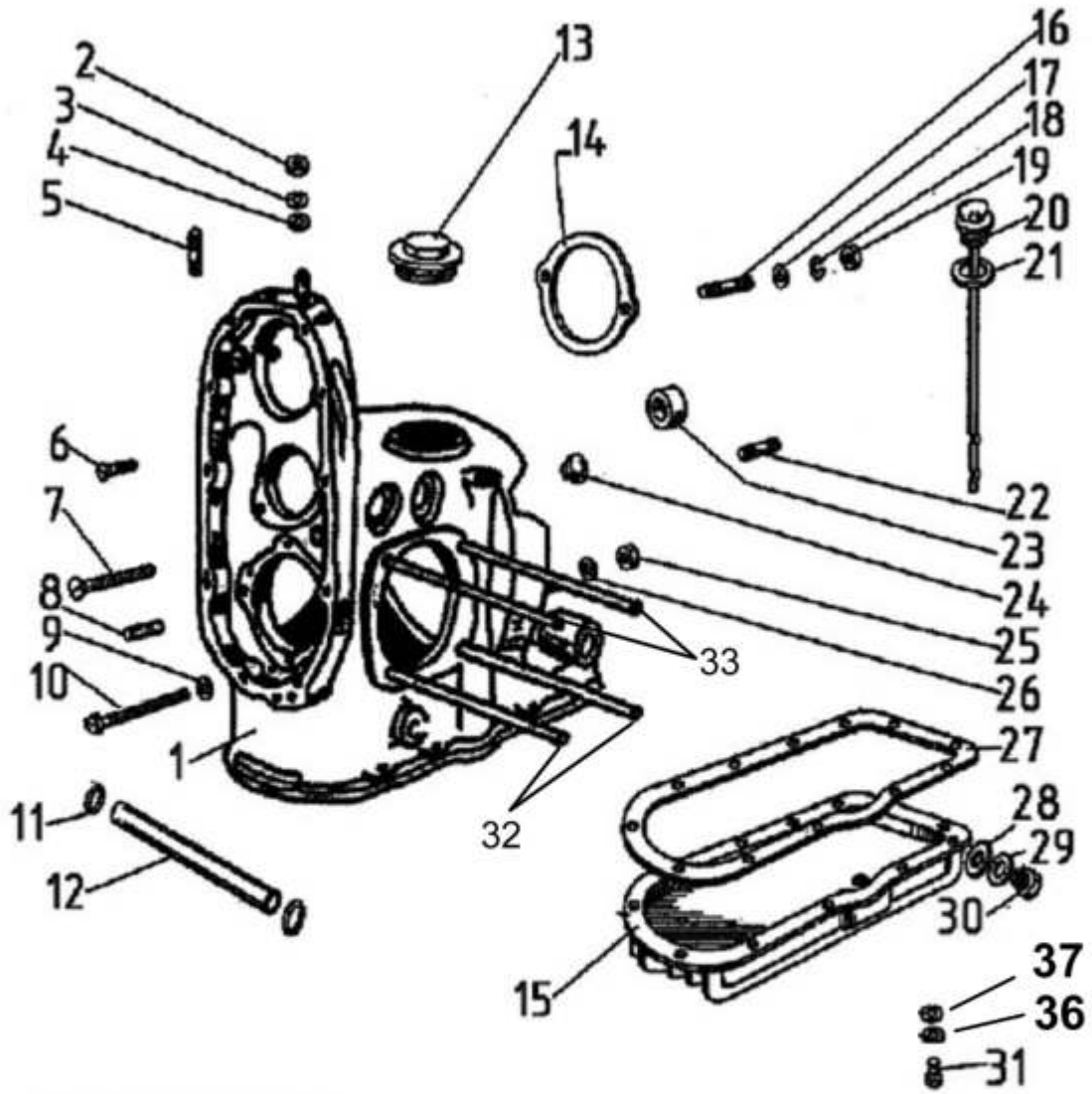


Fig. 2



34



35

Fig. 3

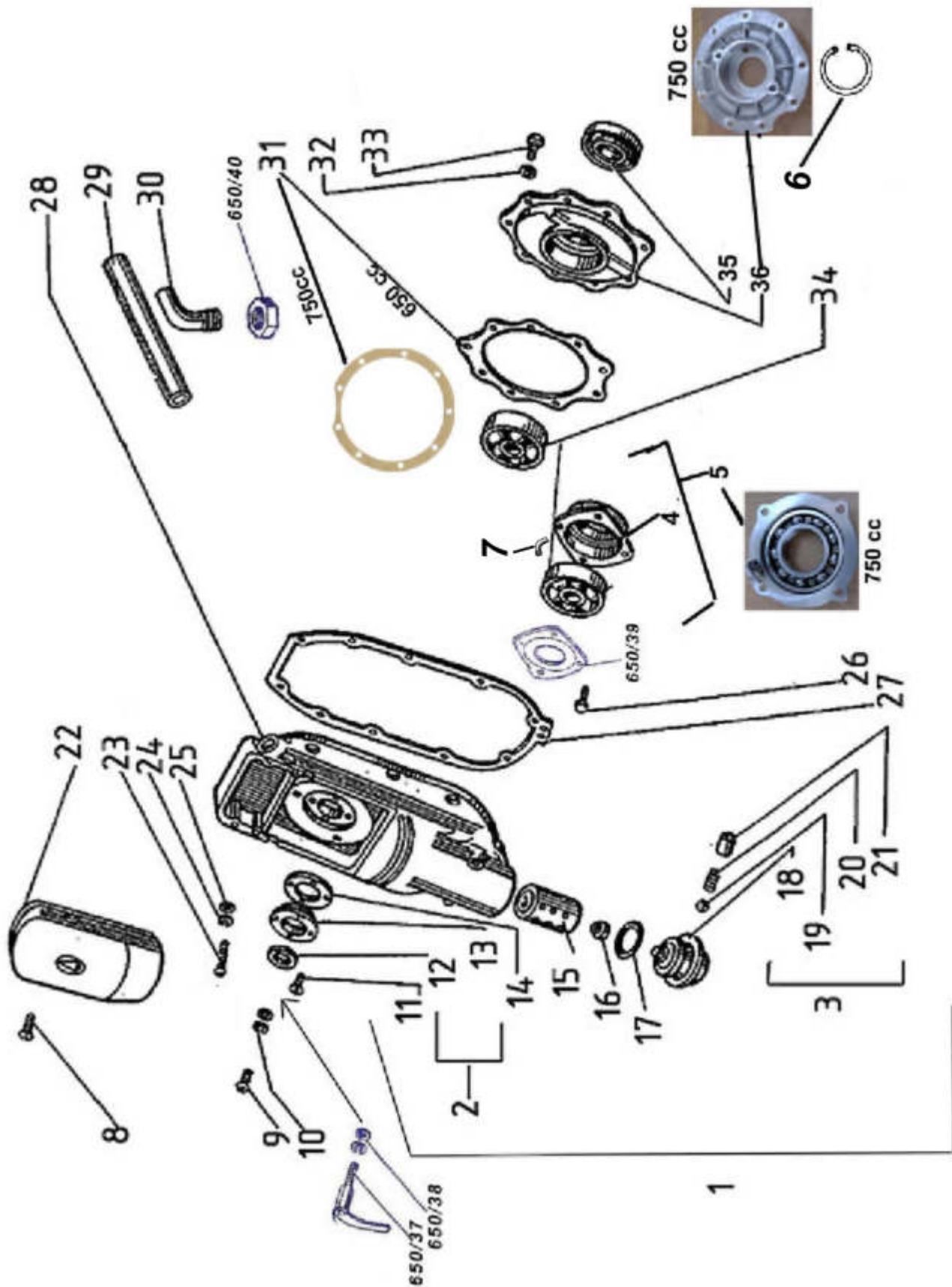


Fig. 4

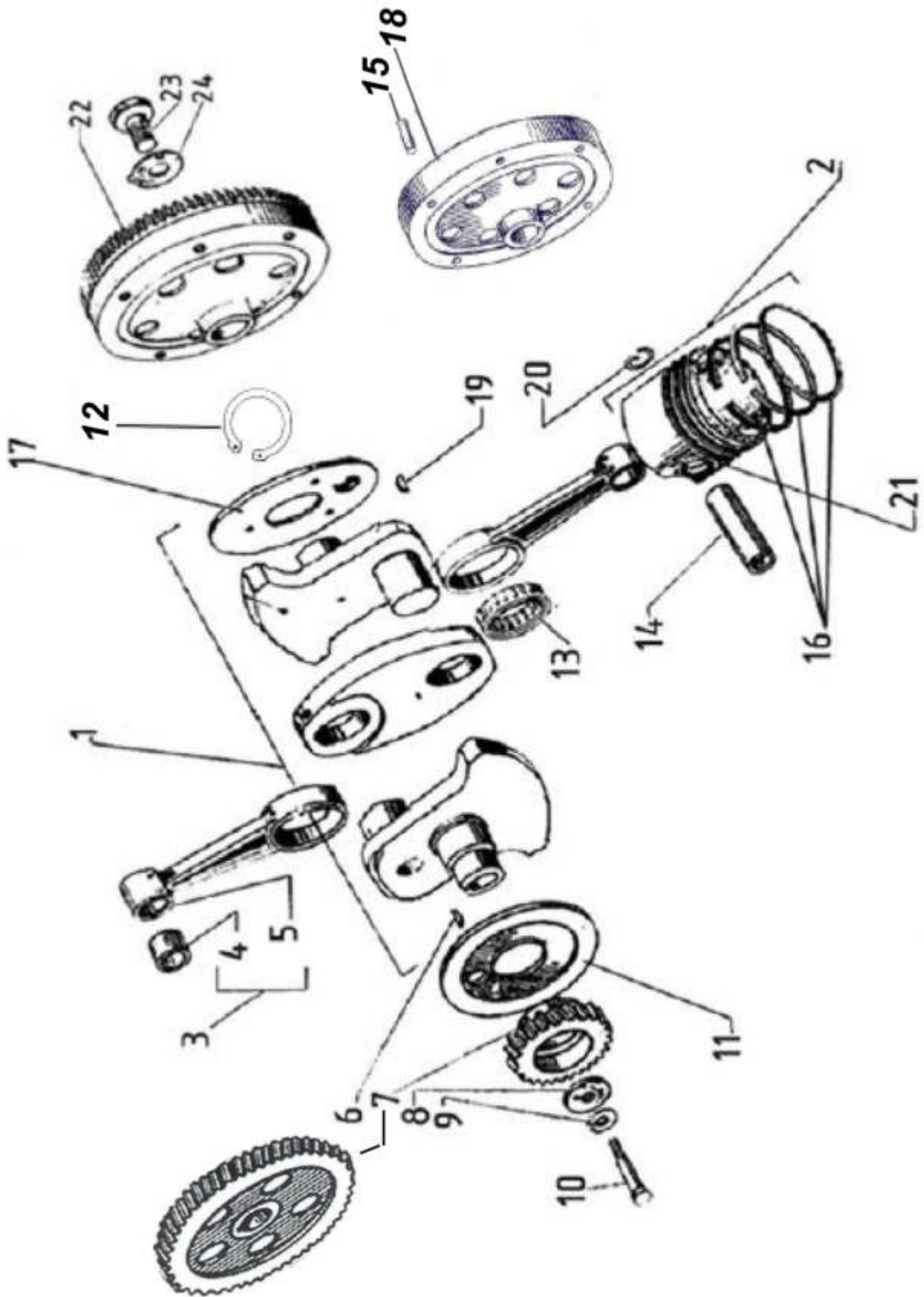


Fig. 5

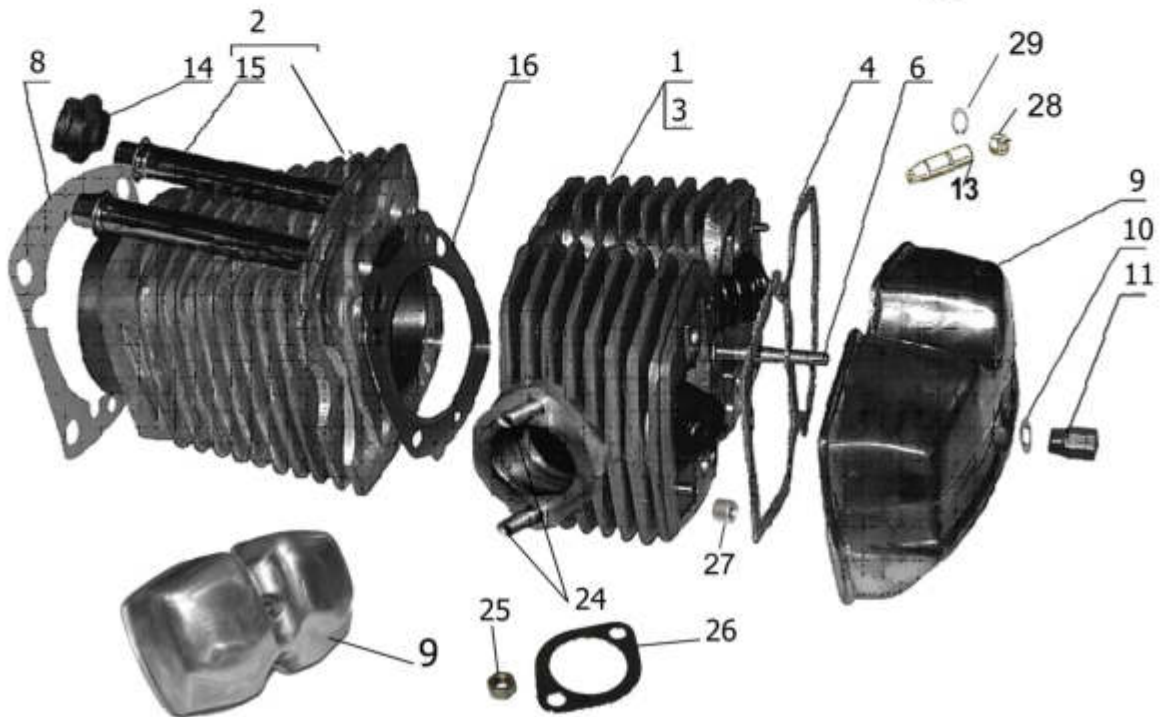
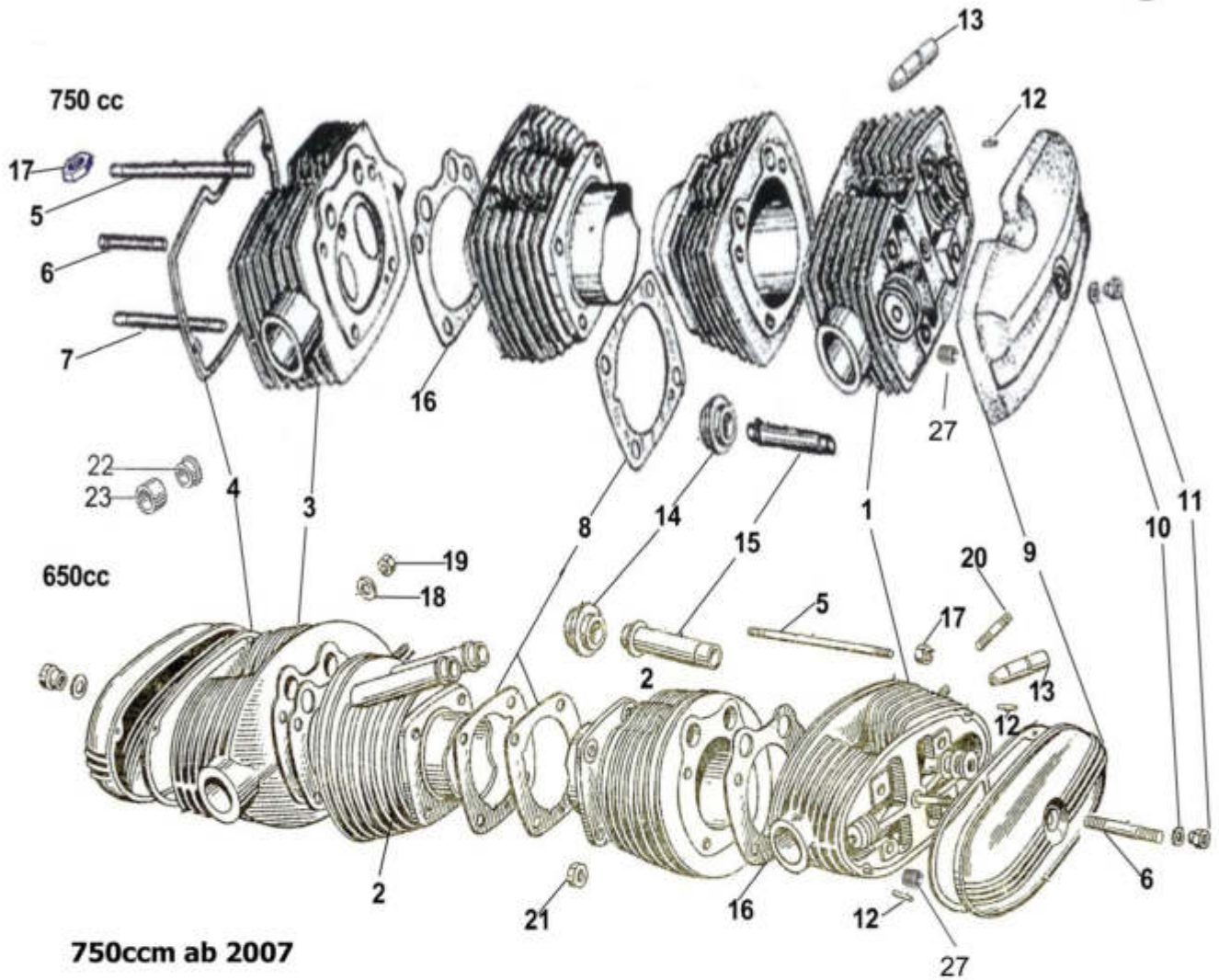


Fig. 6

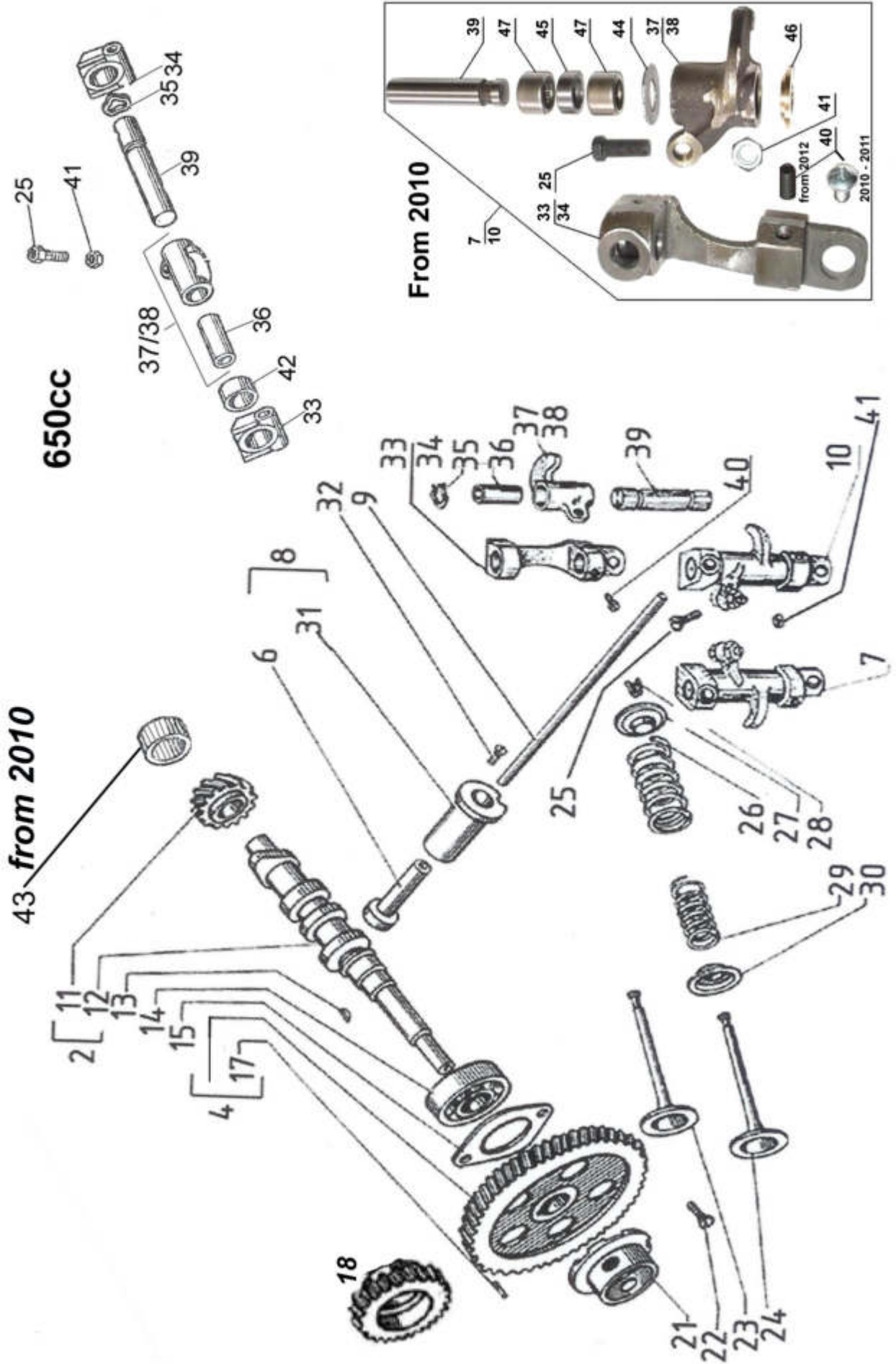


Fig. 7

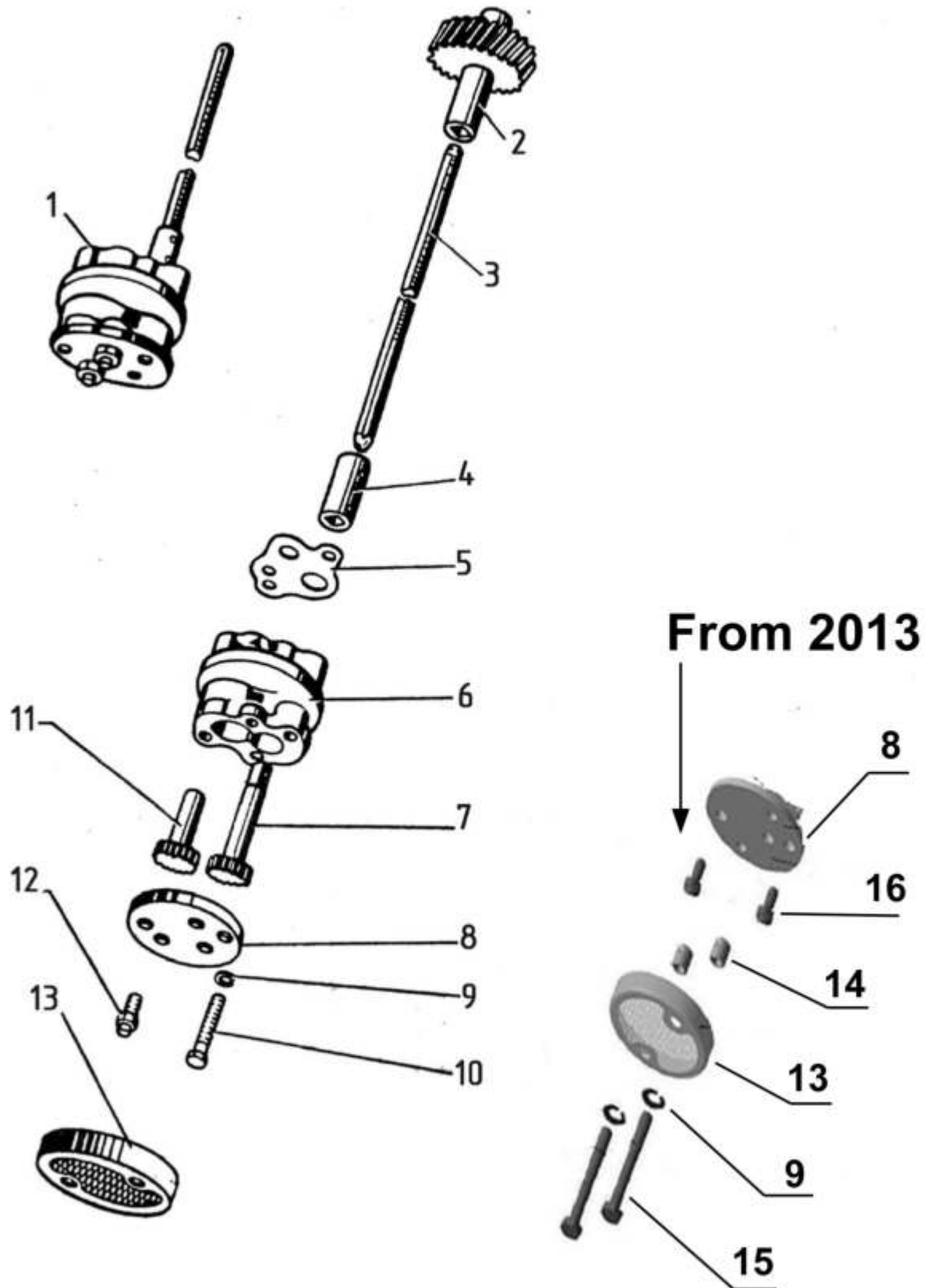


Fig. 9

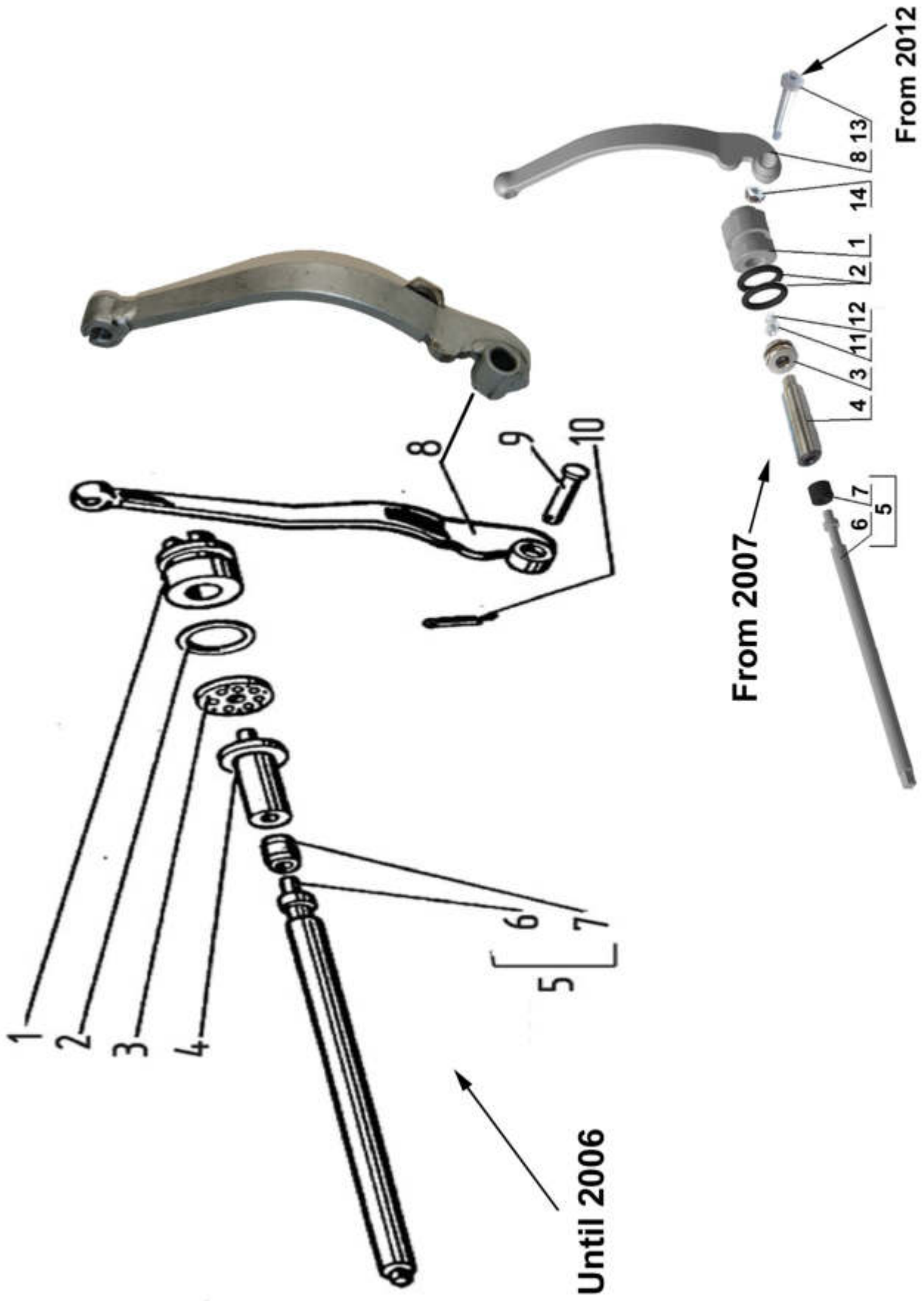


Fig. 10.01

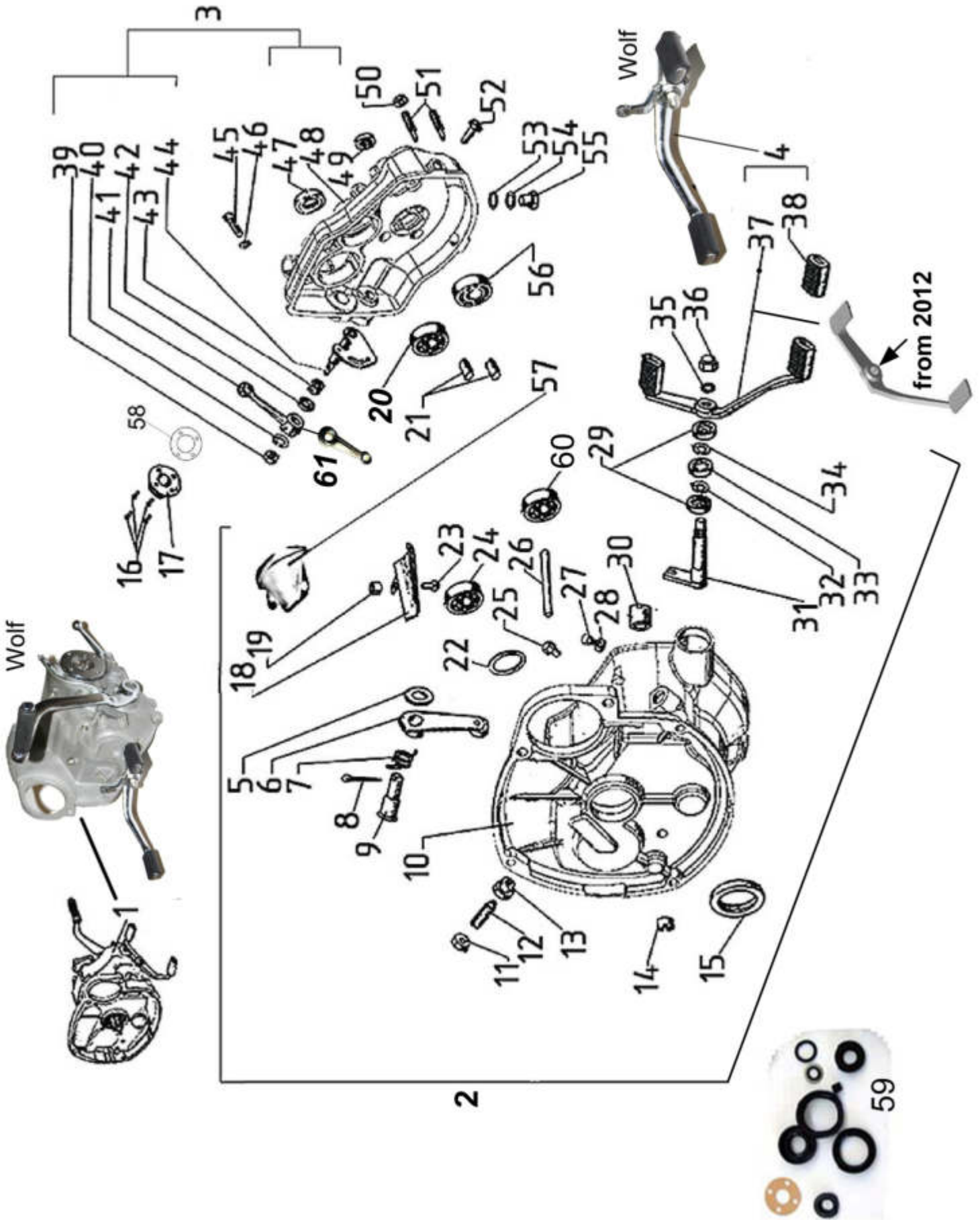
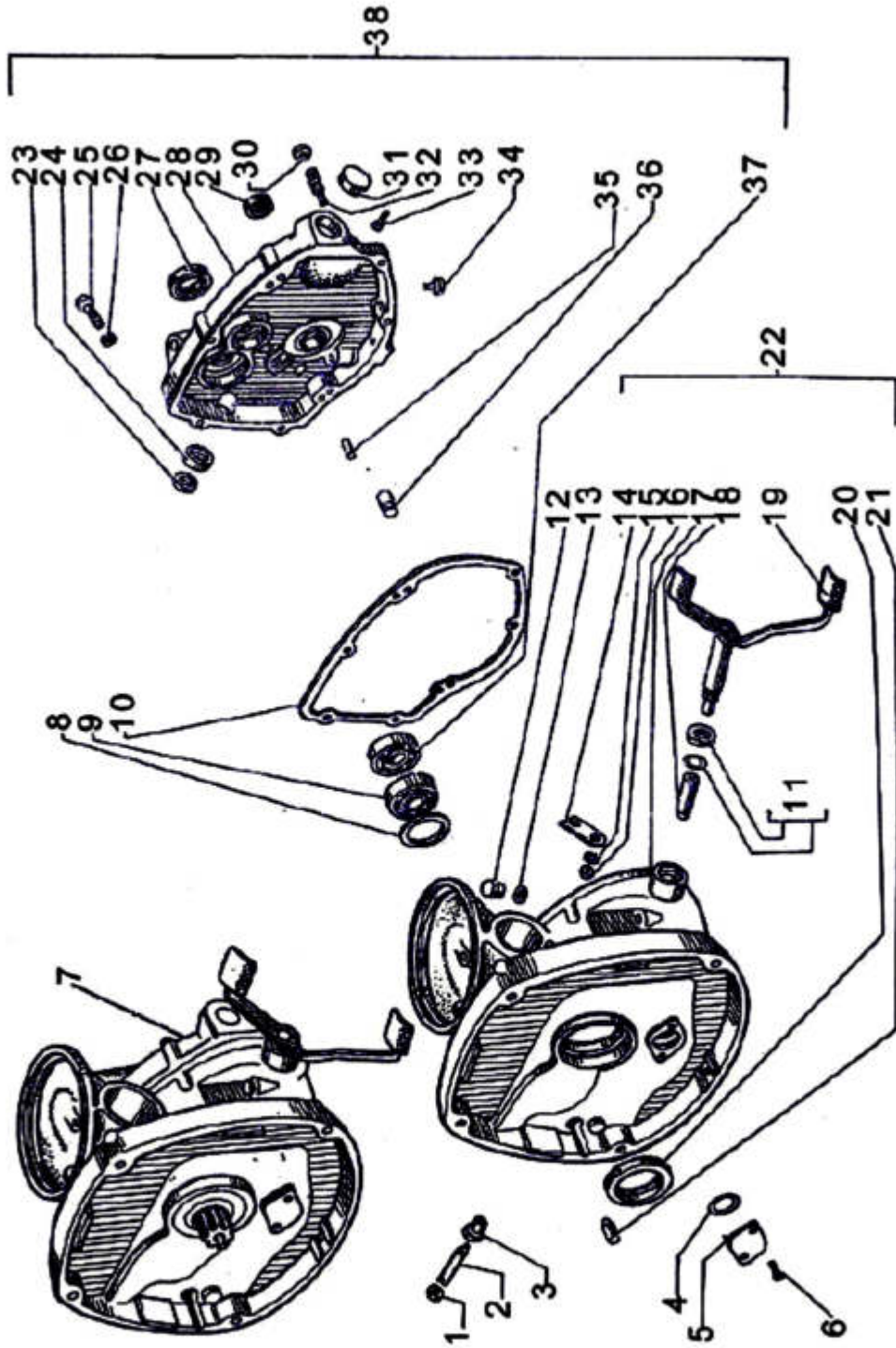
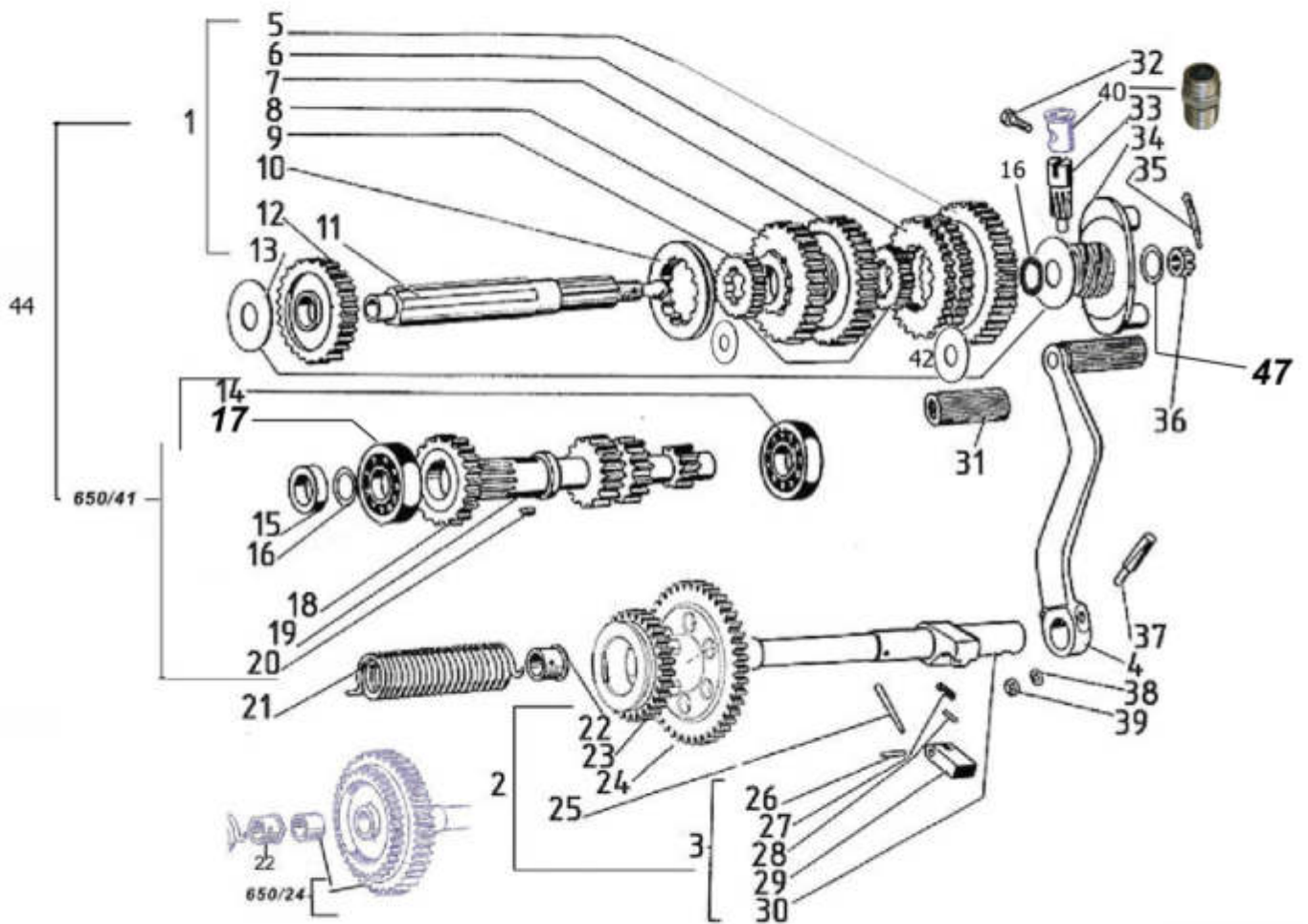


Fig. 10.02



39

Fig. 11



750ccm from 2007

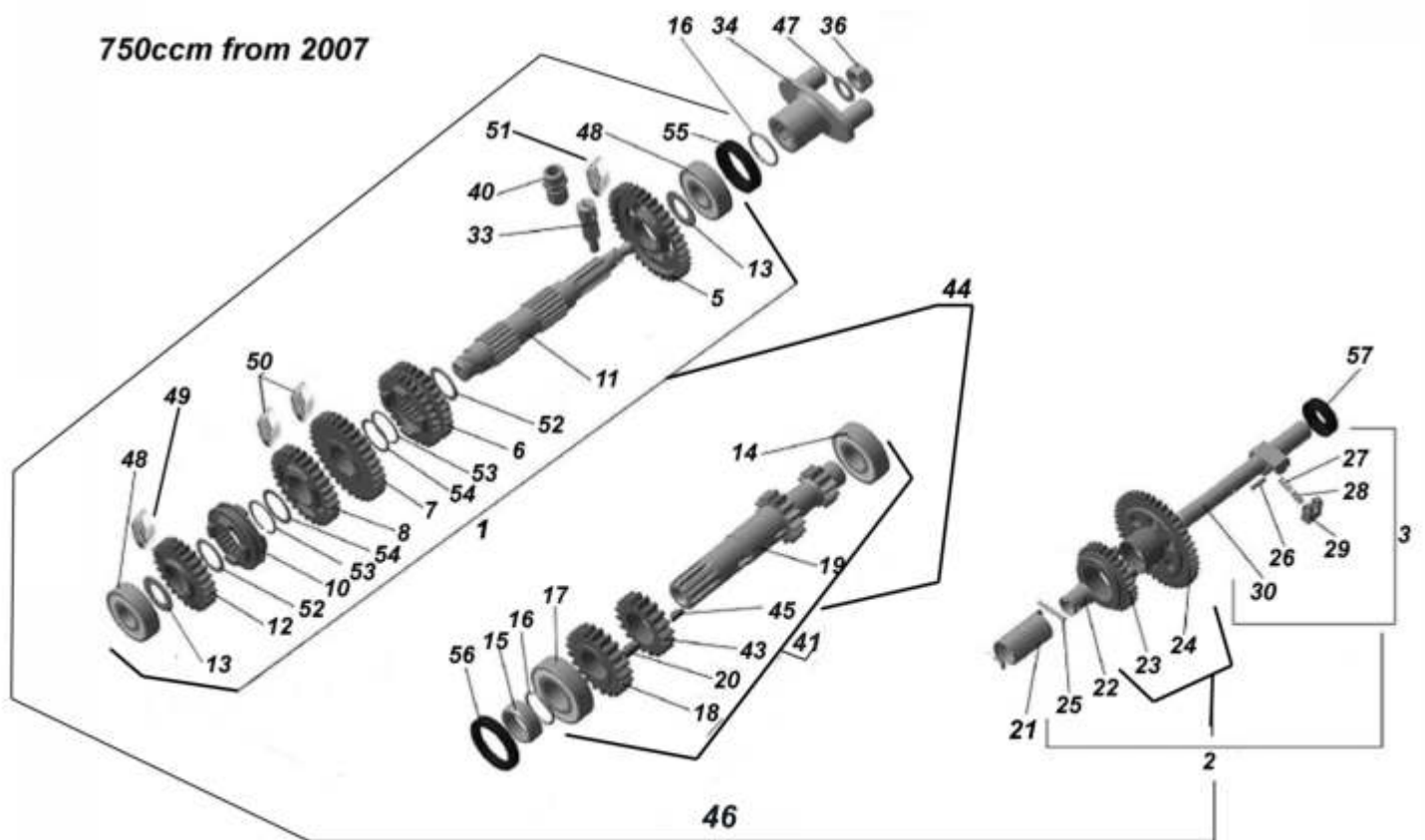


Fig. 12

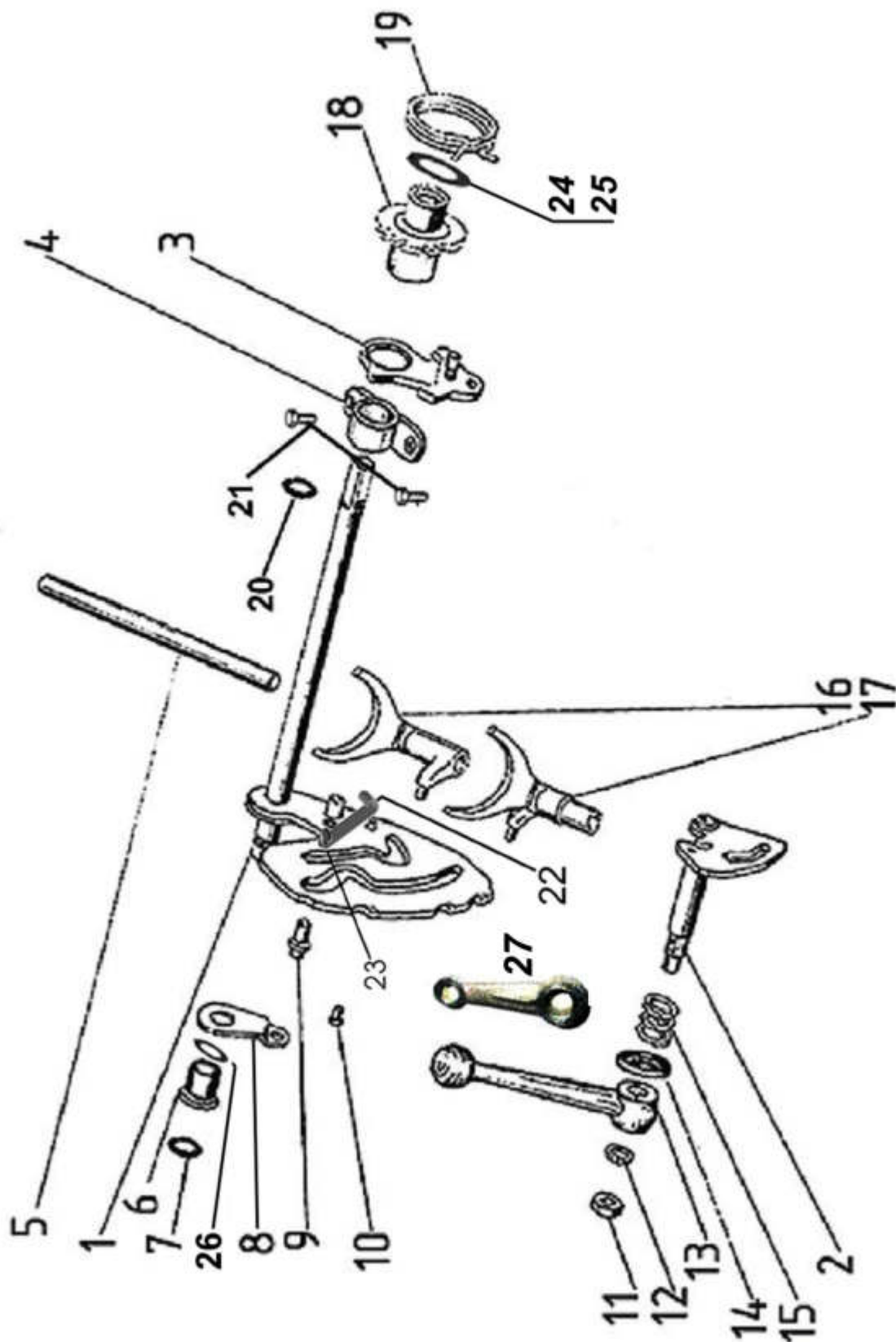


Fig. 13

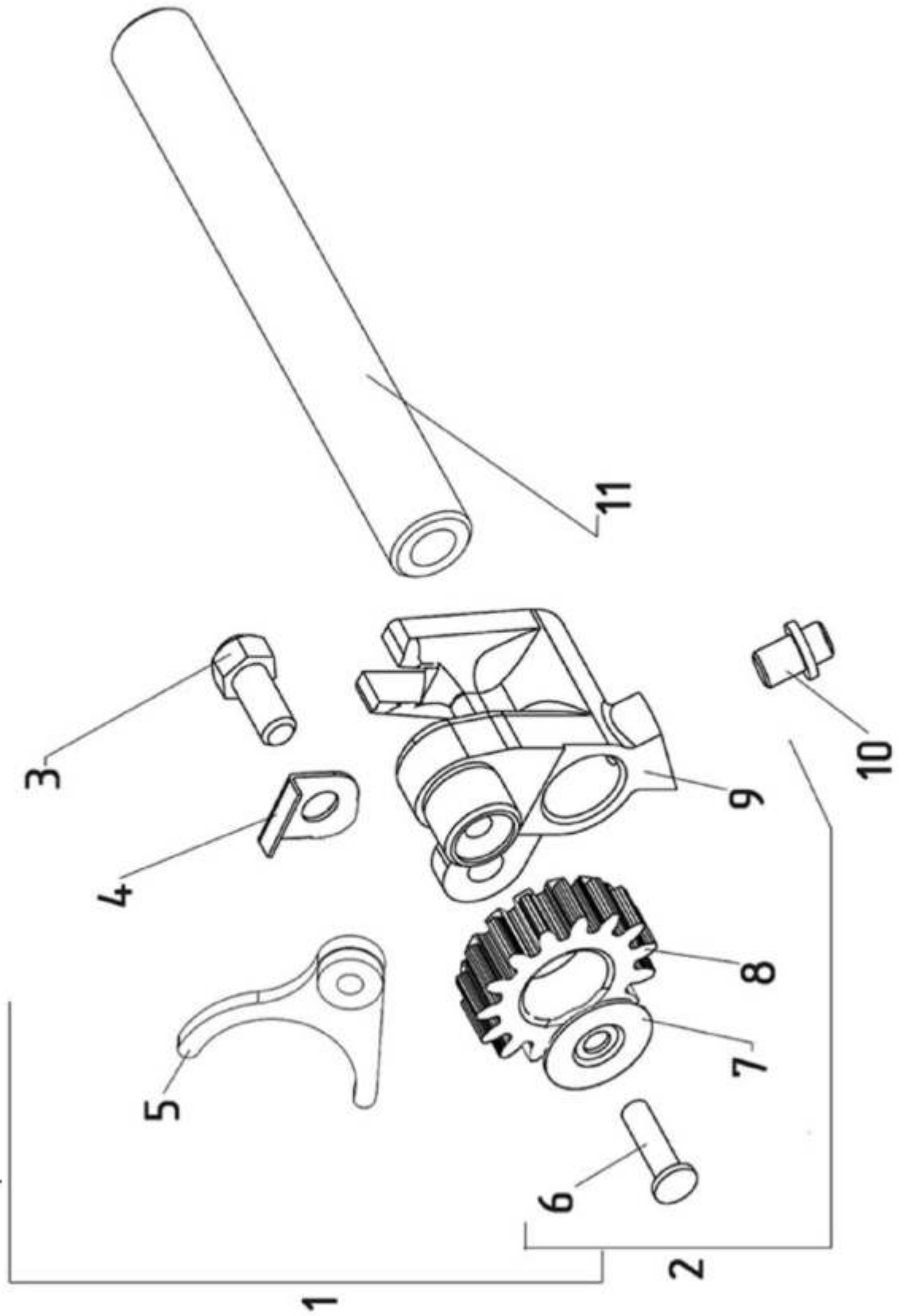


Fig. 14

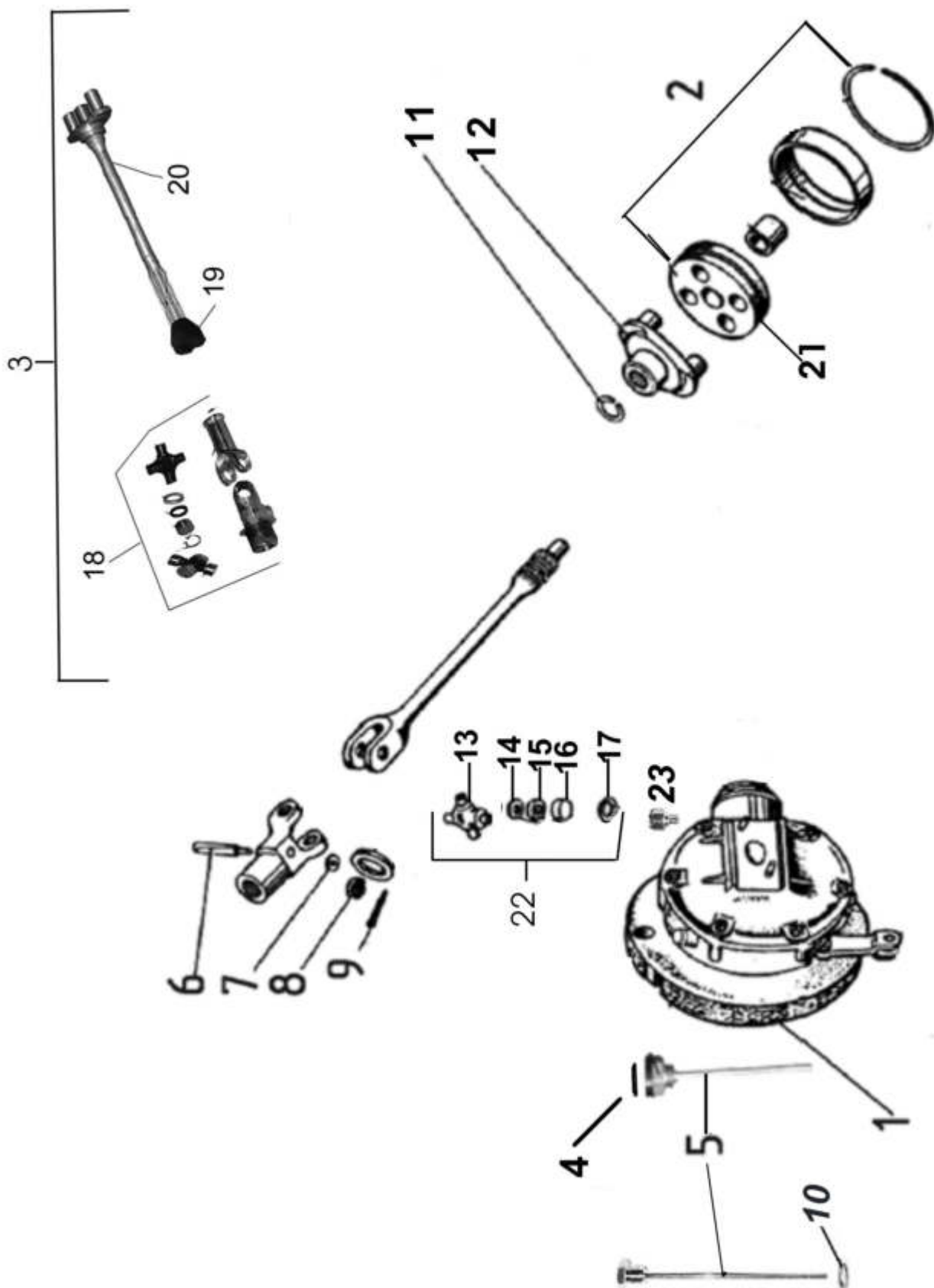


Fig. 16

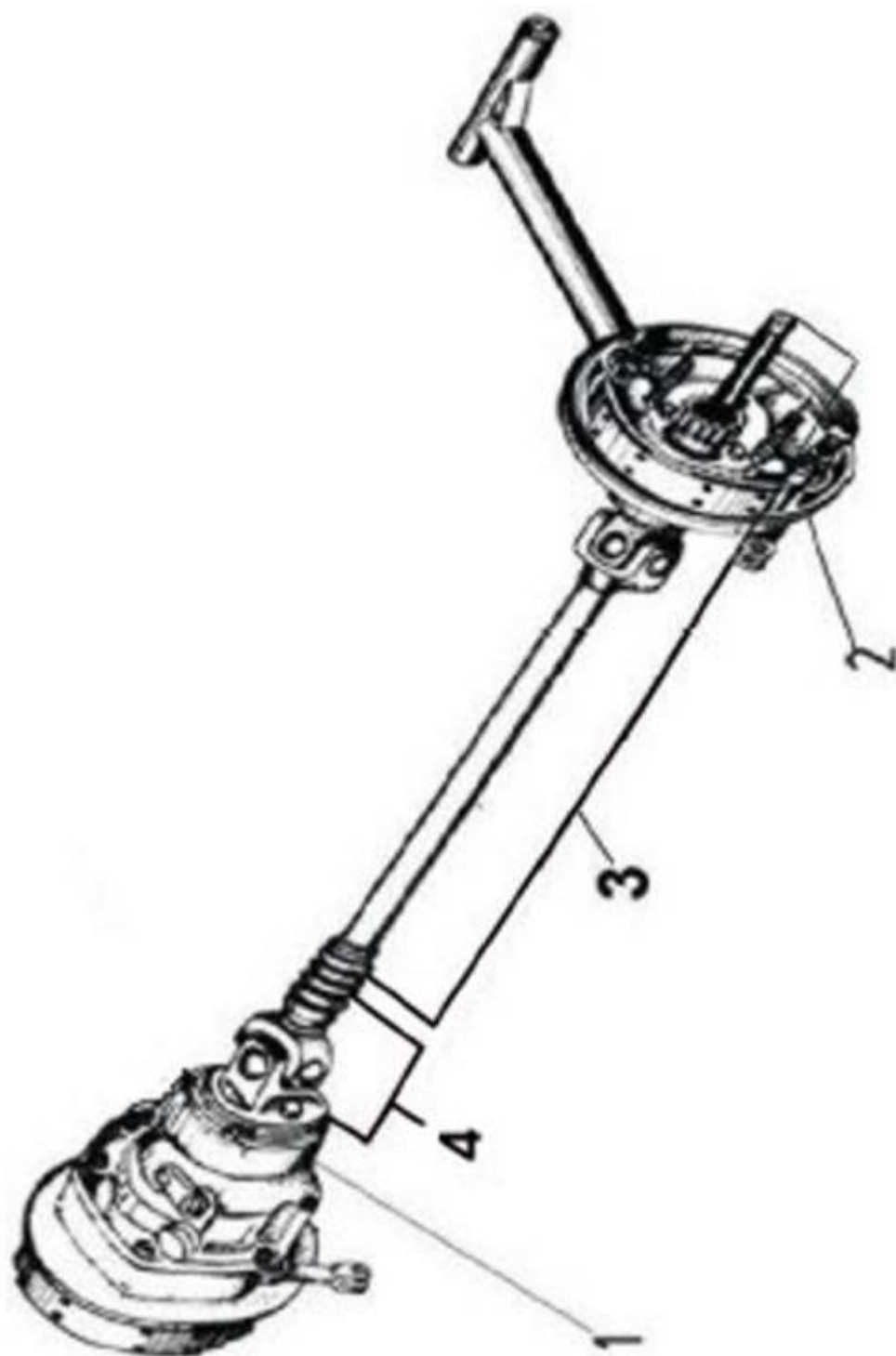


Fig. 17

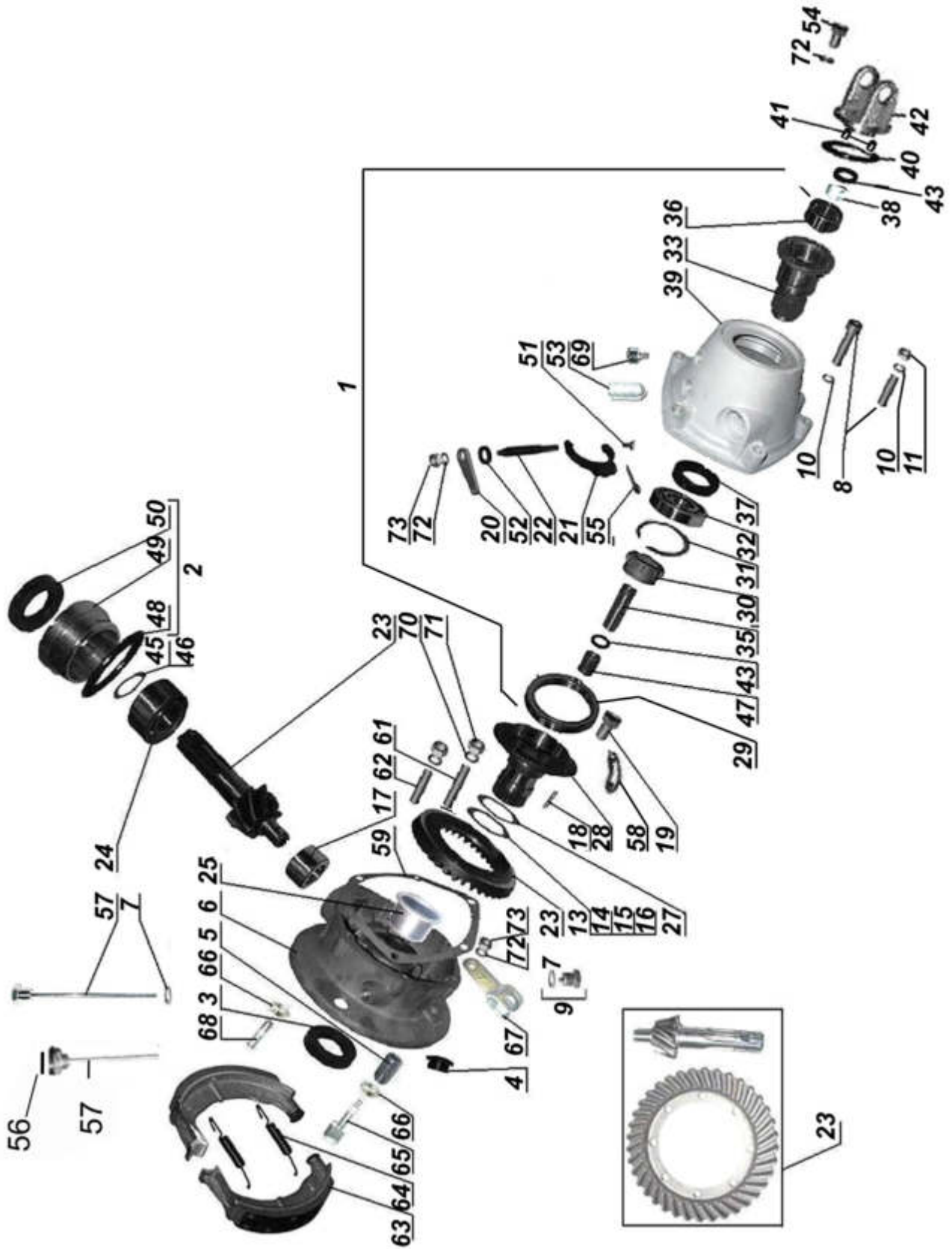


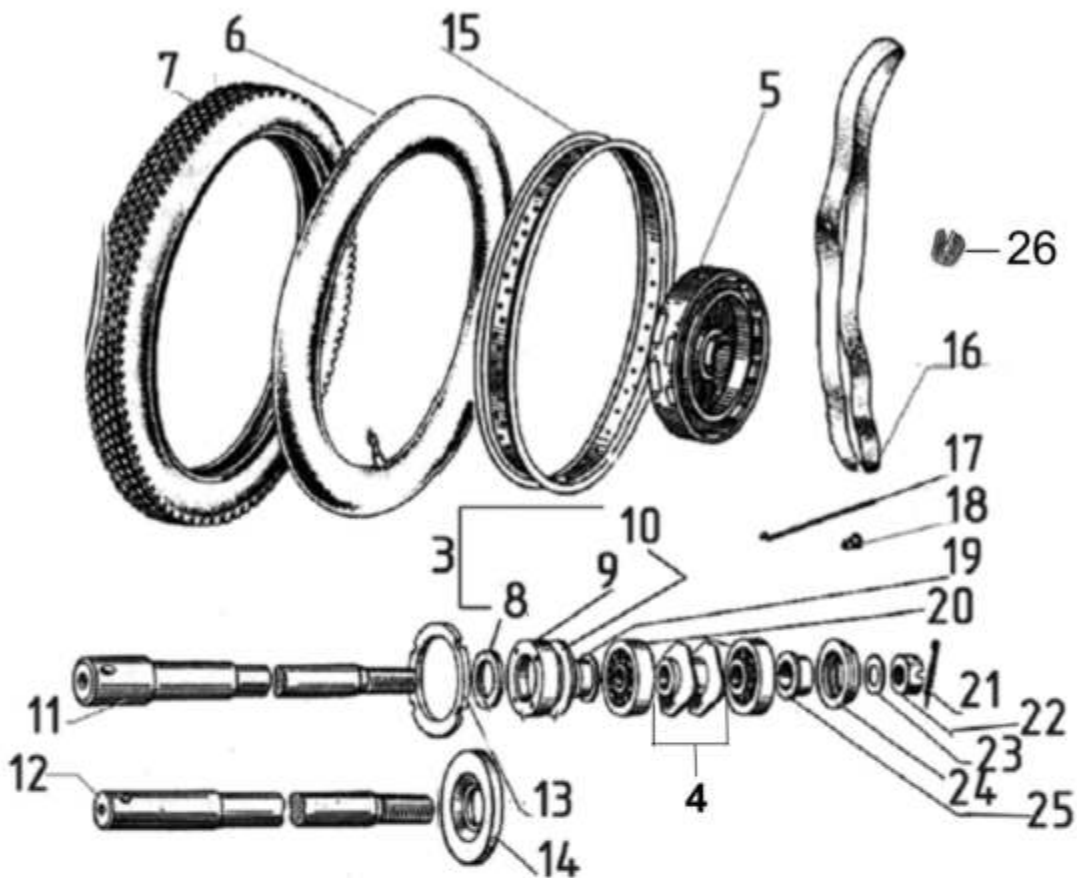
Fig. 18



Fig. 19.01



Drum brake



Disk brake

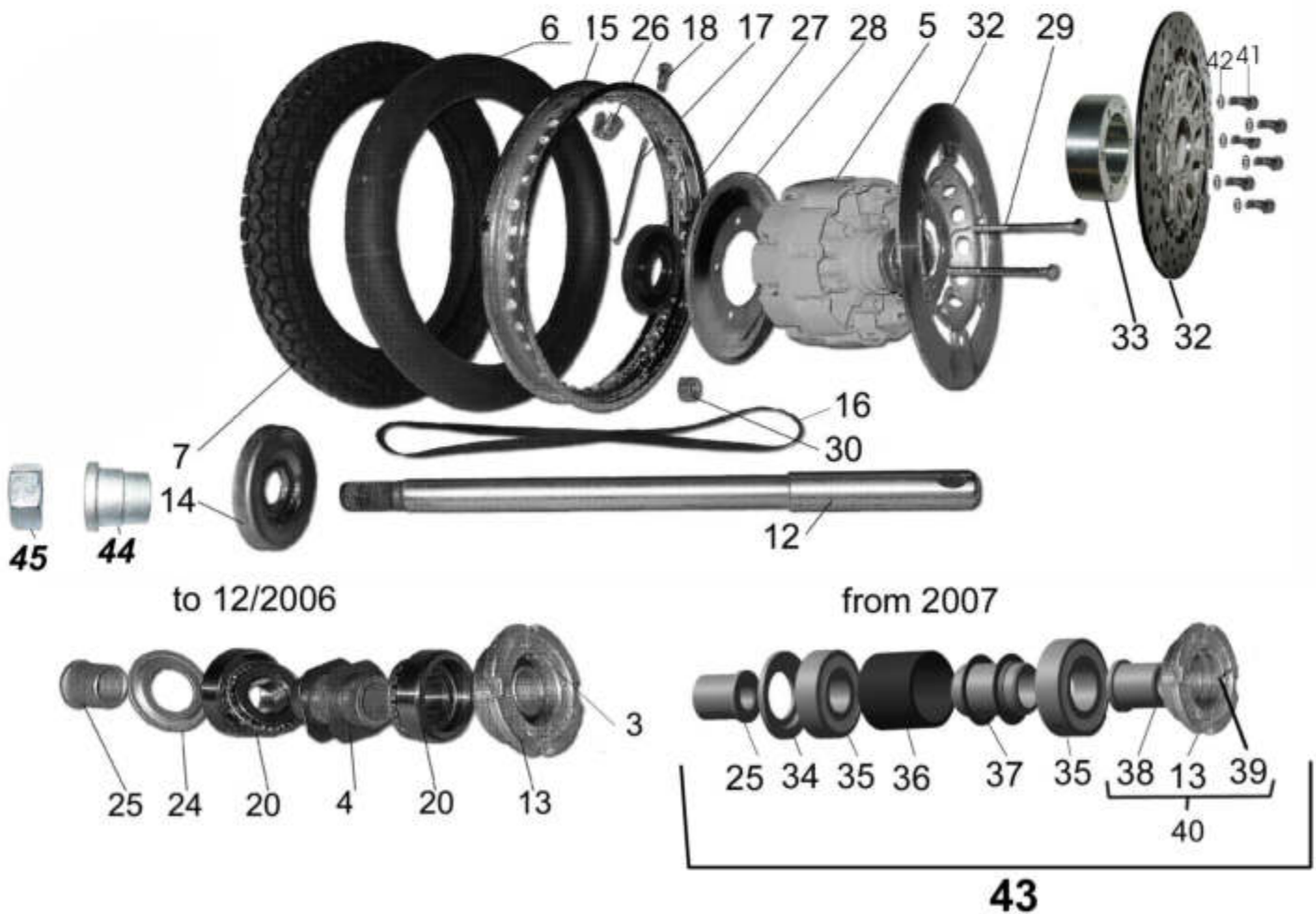
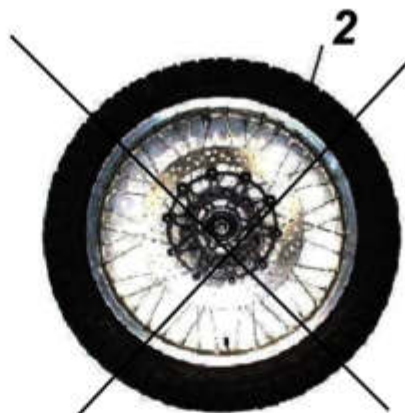
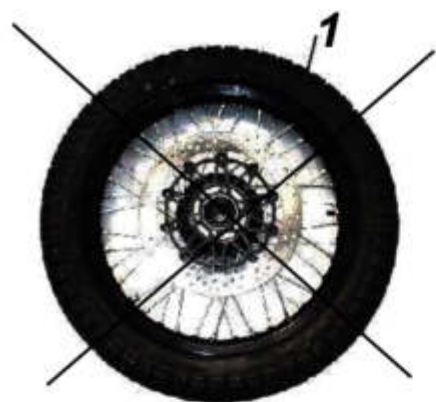
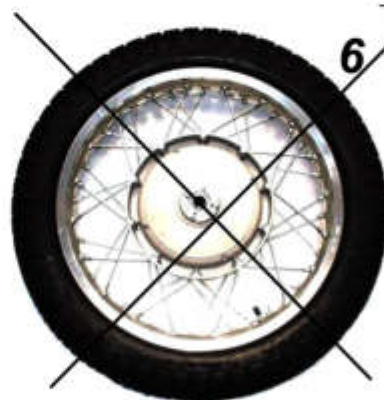
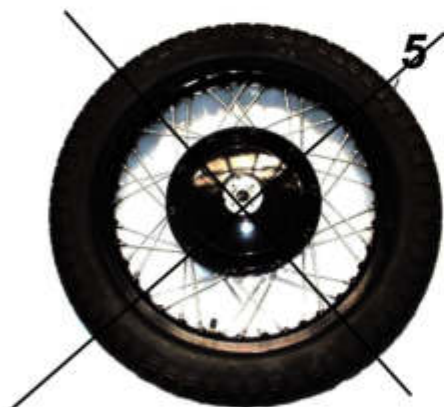


Fig. 19.02



*disk
brake*



*drum
brake*

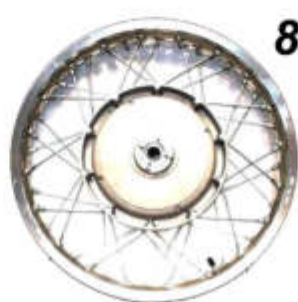
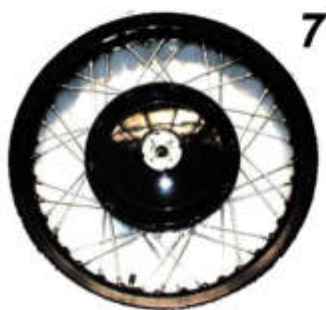


Fig. 19.03

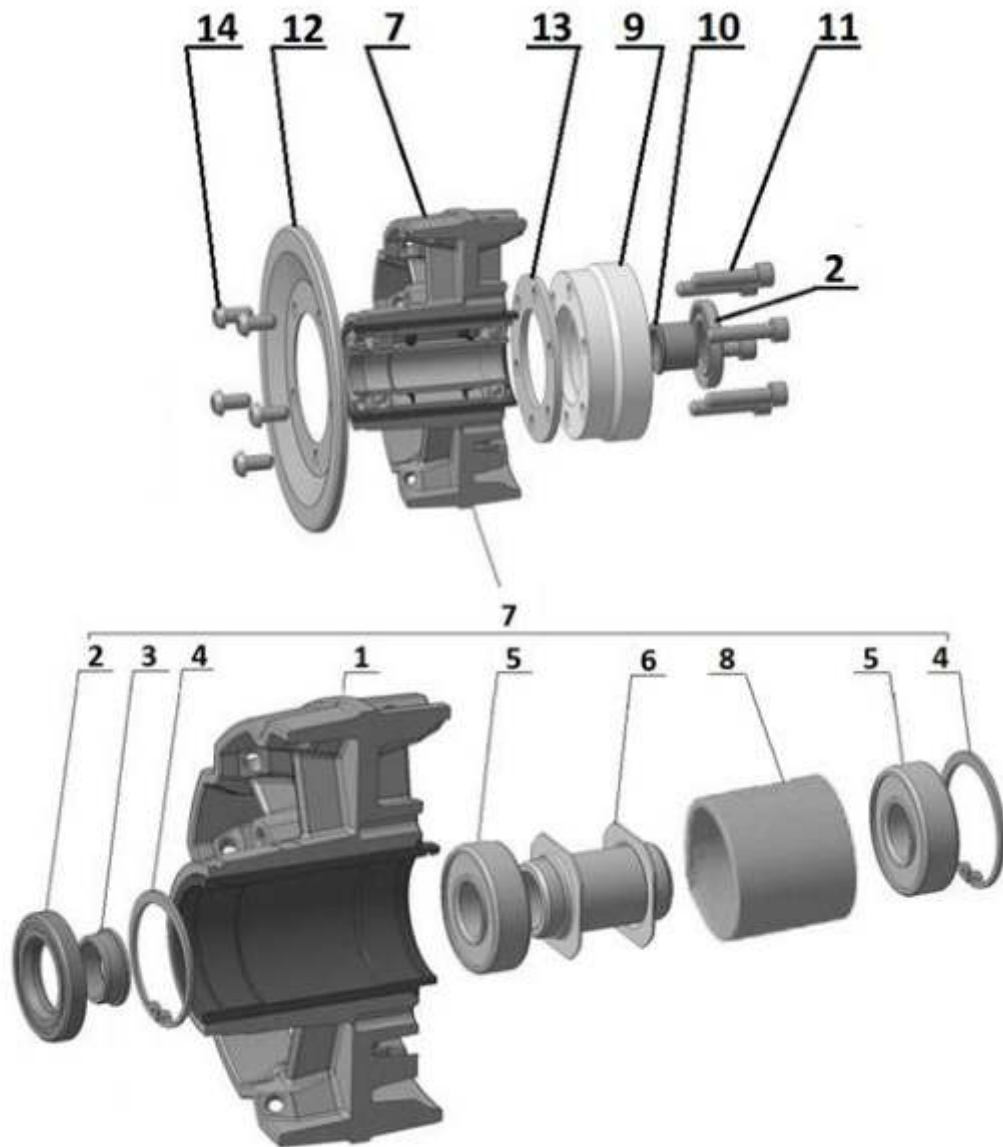


Fig. 19.04

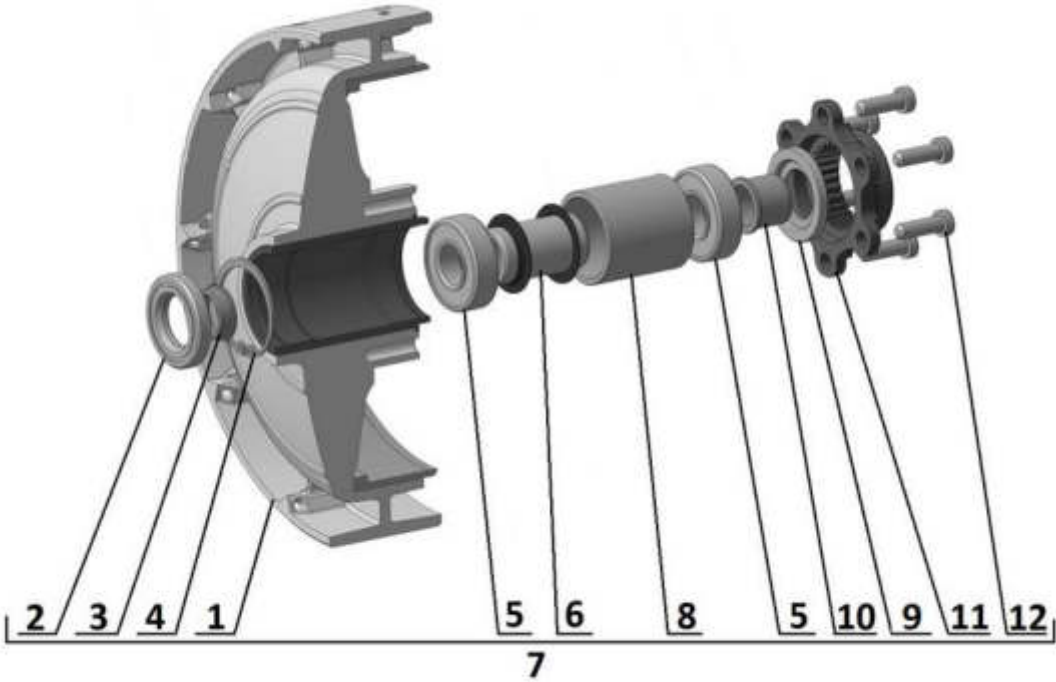


Fig. 20

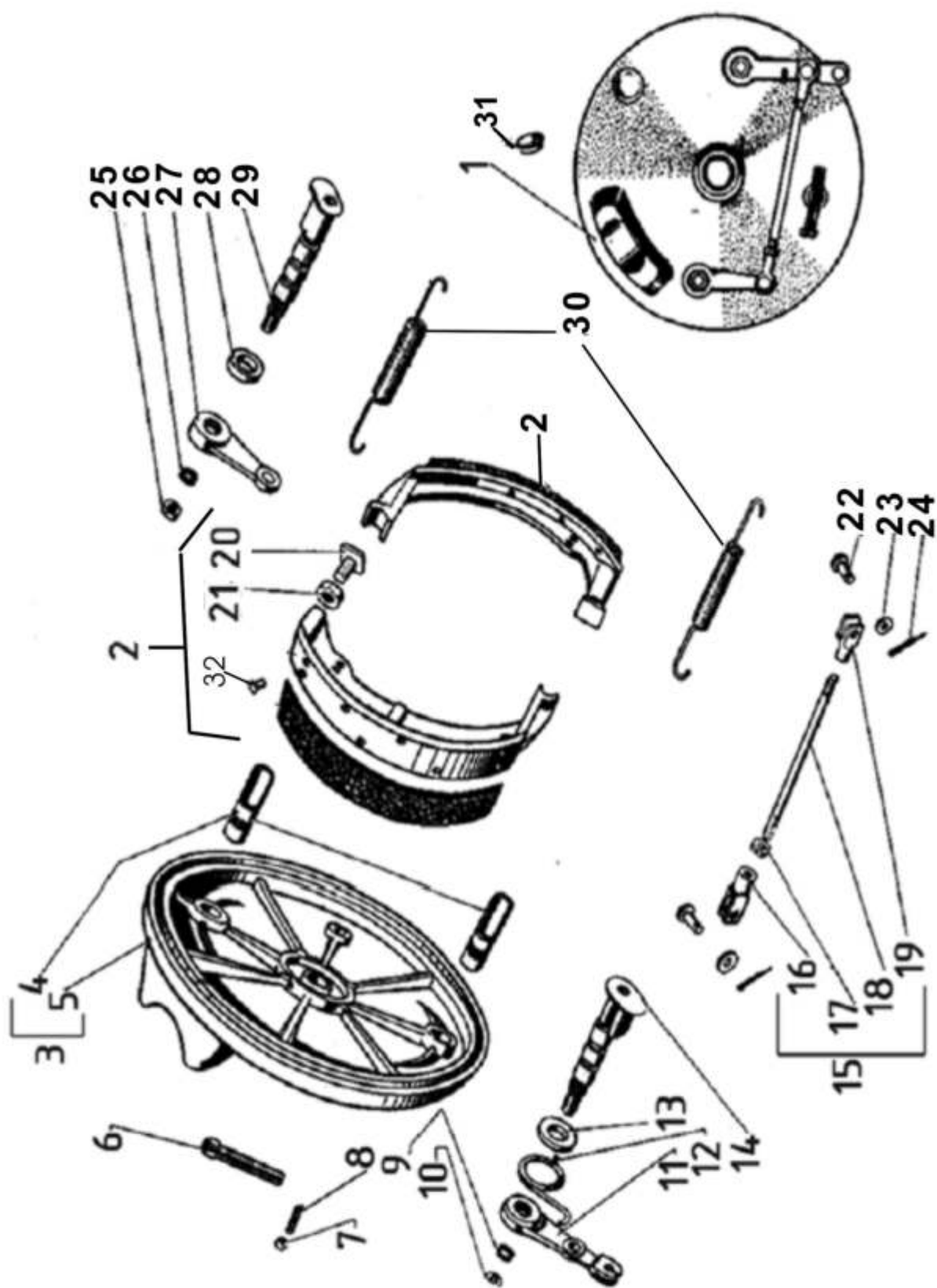
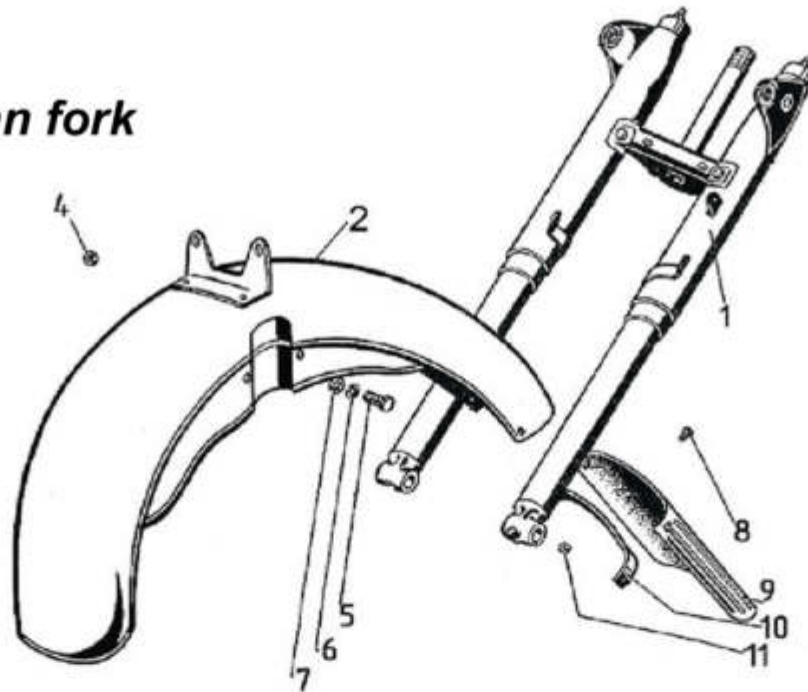


Fig. 21



Russian fork



Marzocchi fork from 2008

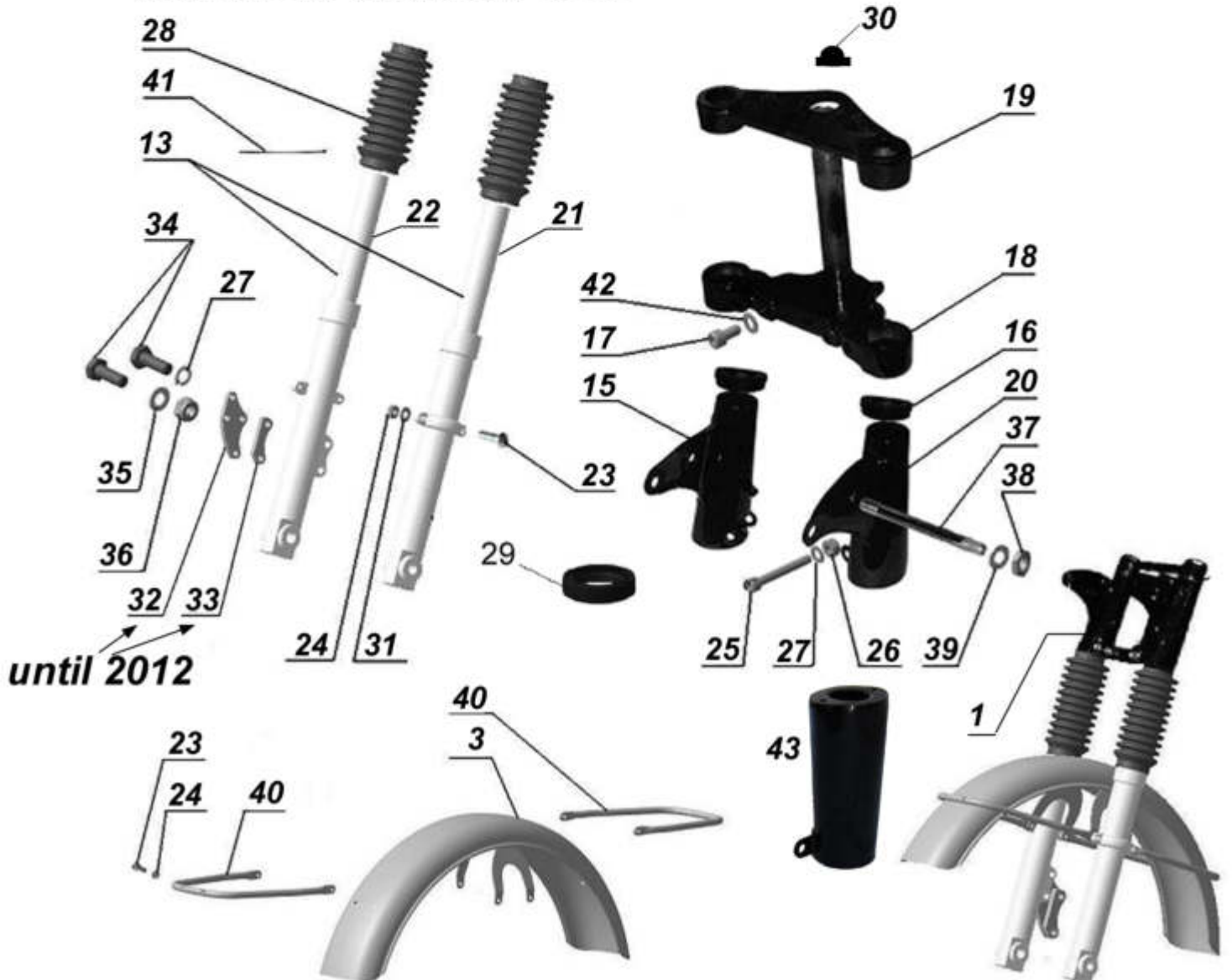
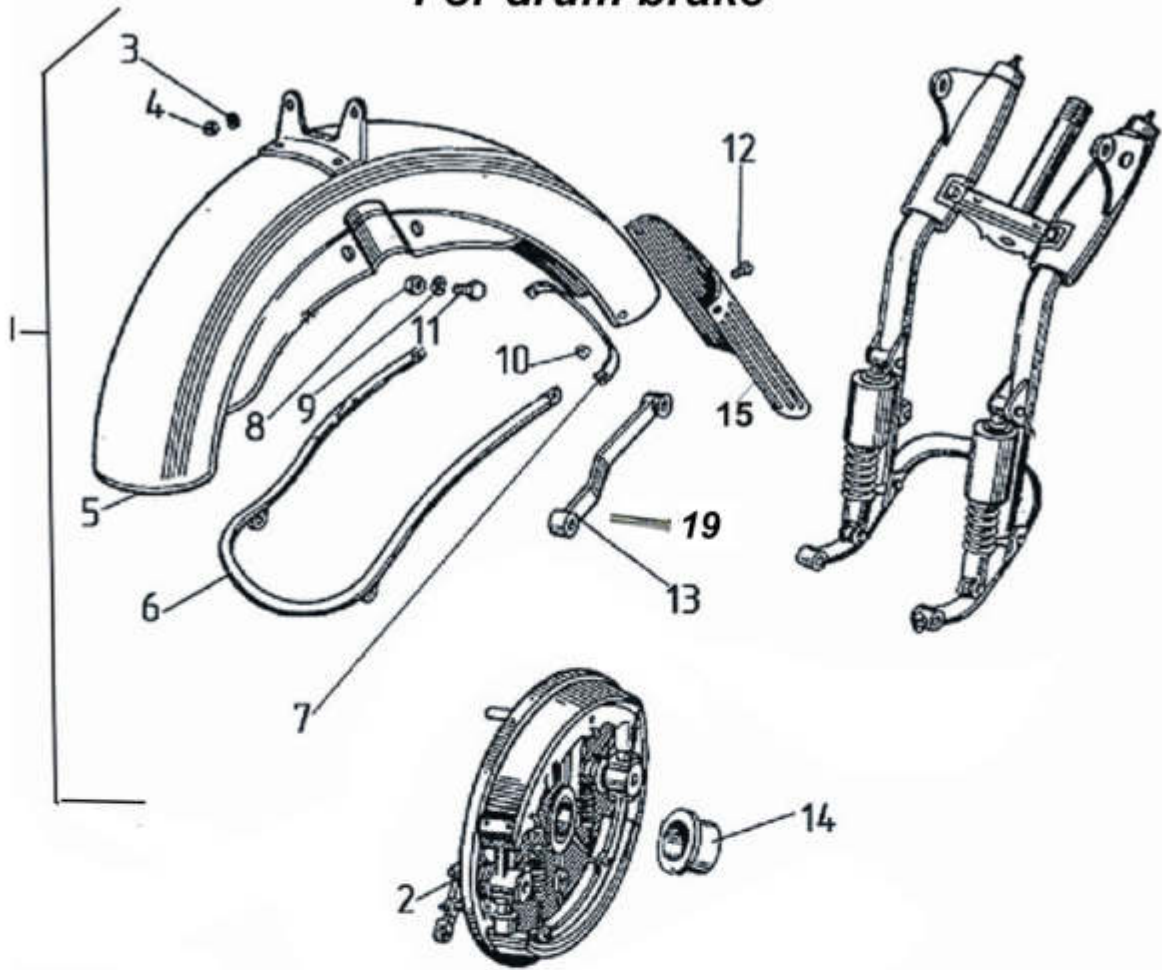


Fig. 22



For drum brake



For disc brake

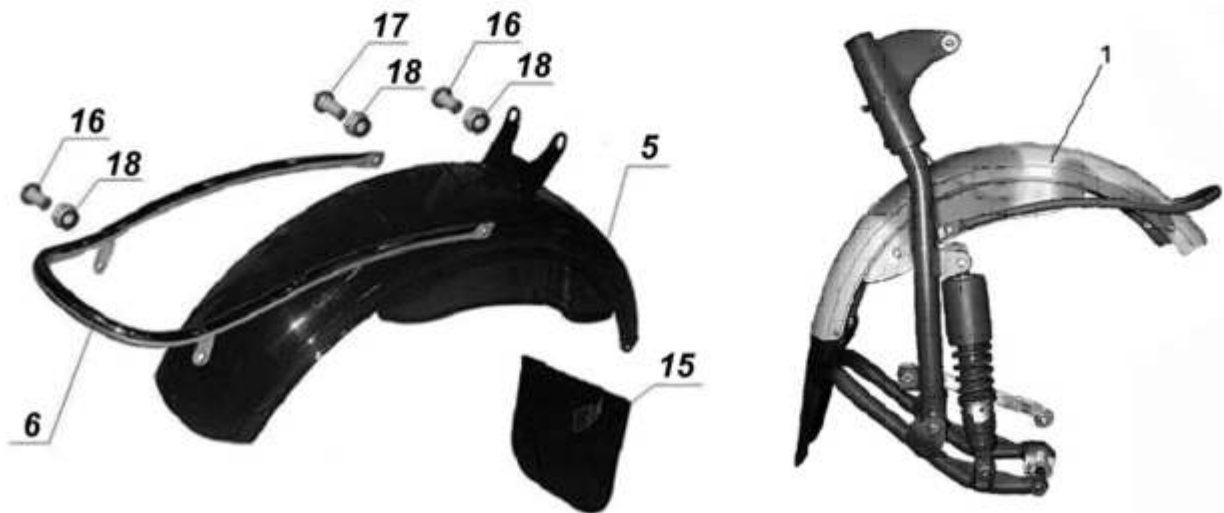
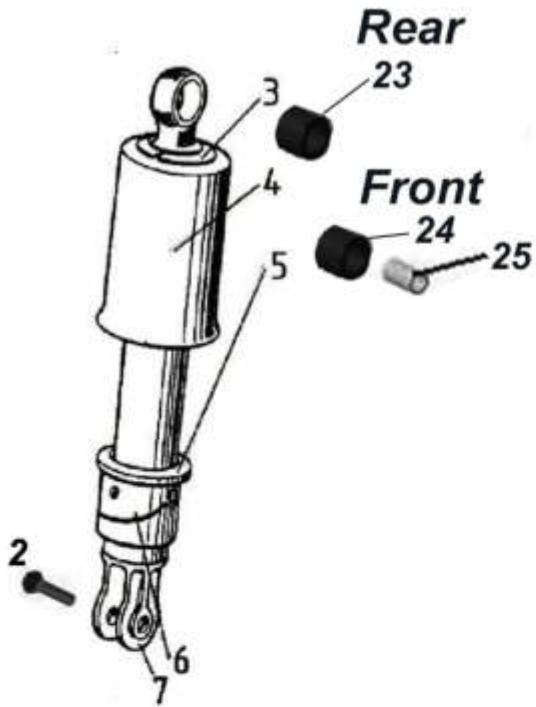


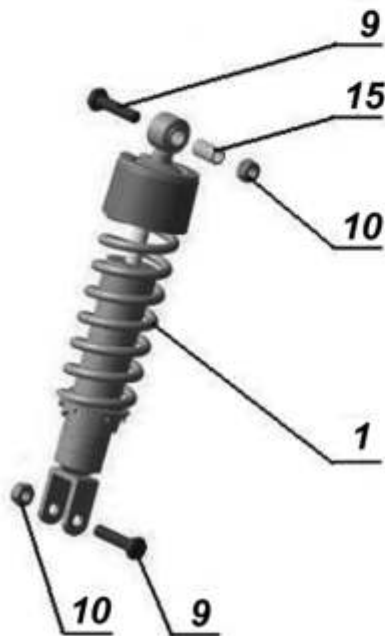
Fig. 23



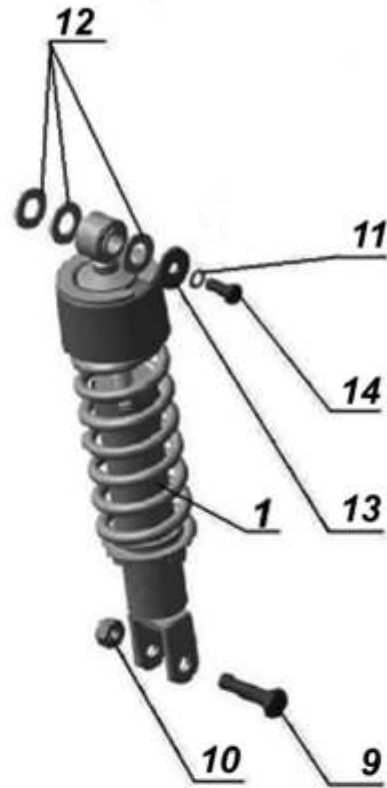
until 2006



Front from 2007



Sidecar and rear from 2007



Retro rear from 2008

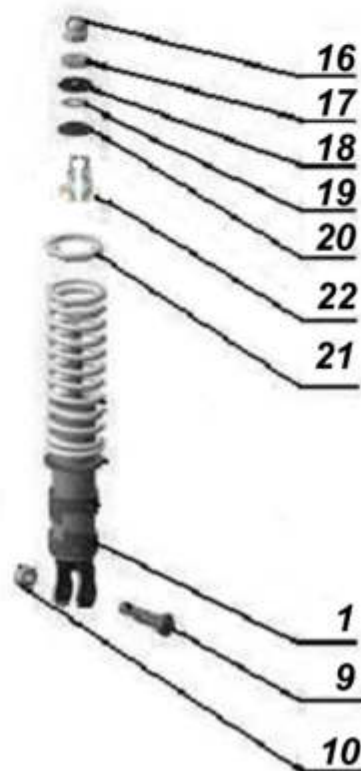


Fig. 24

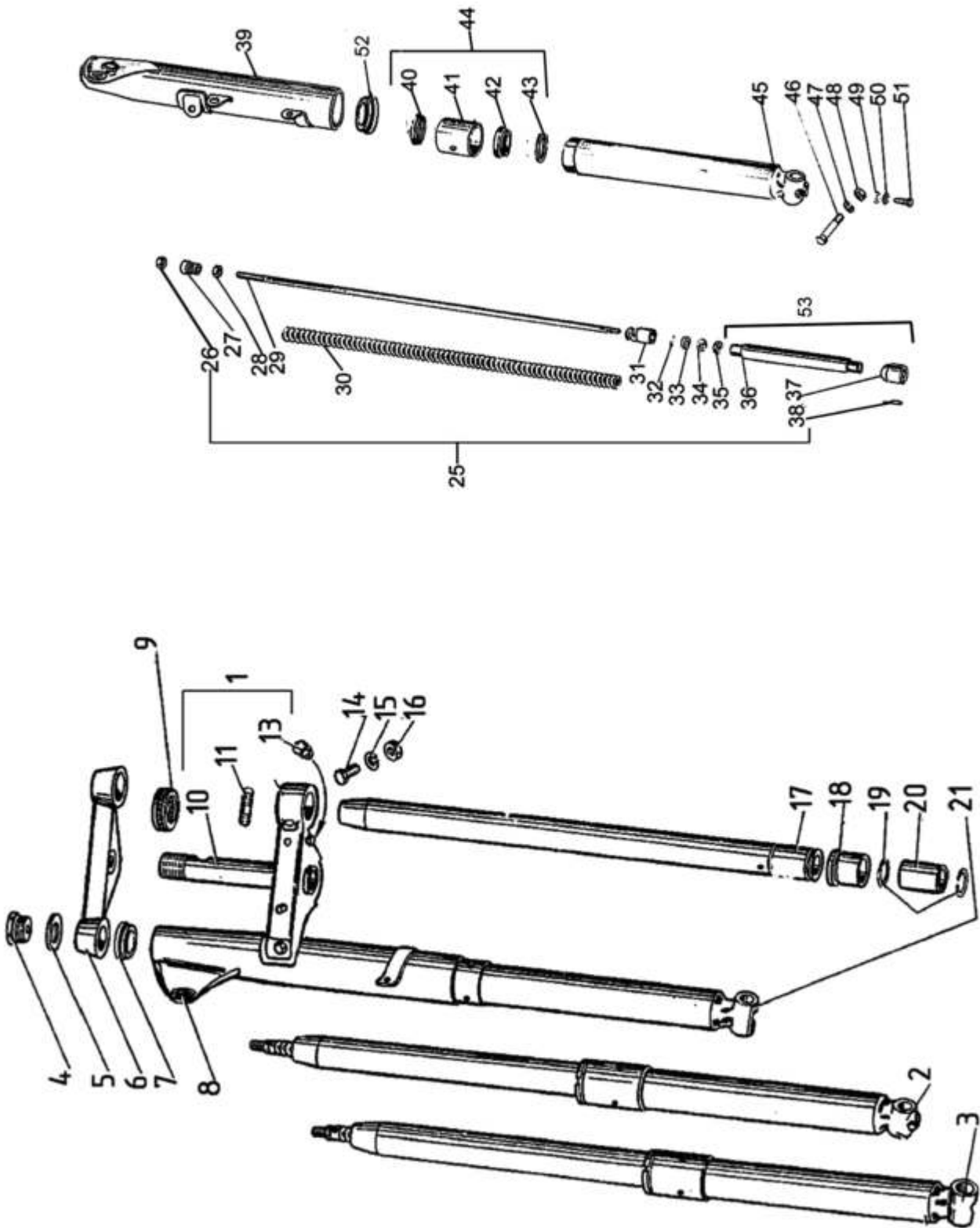
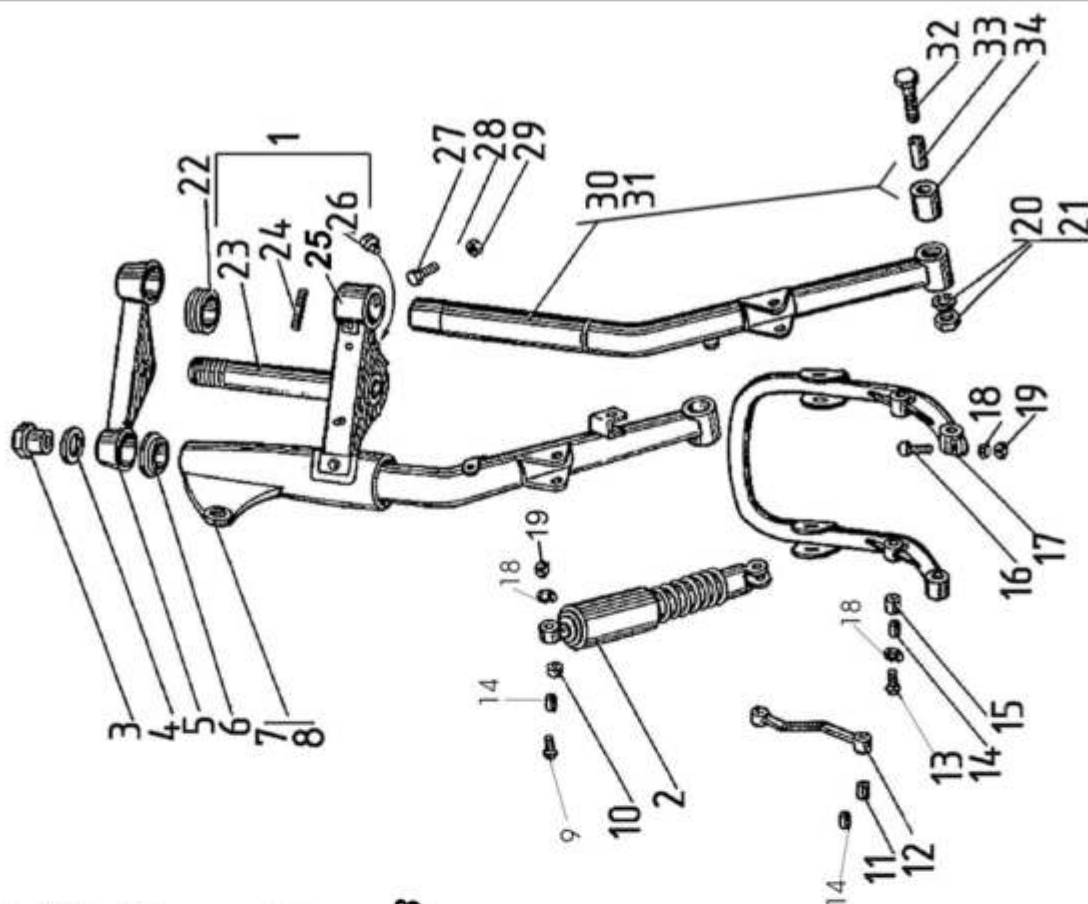


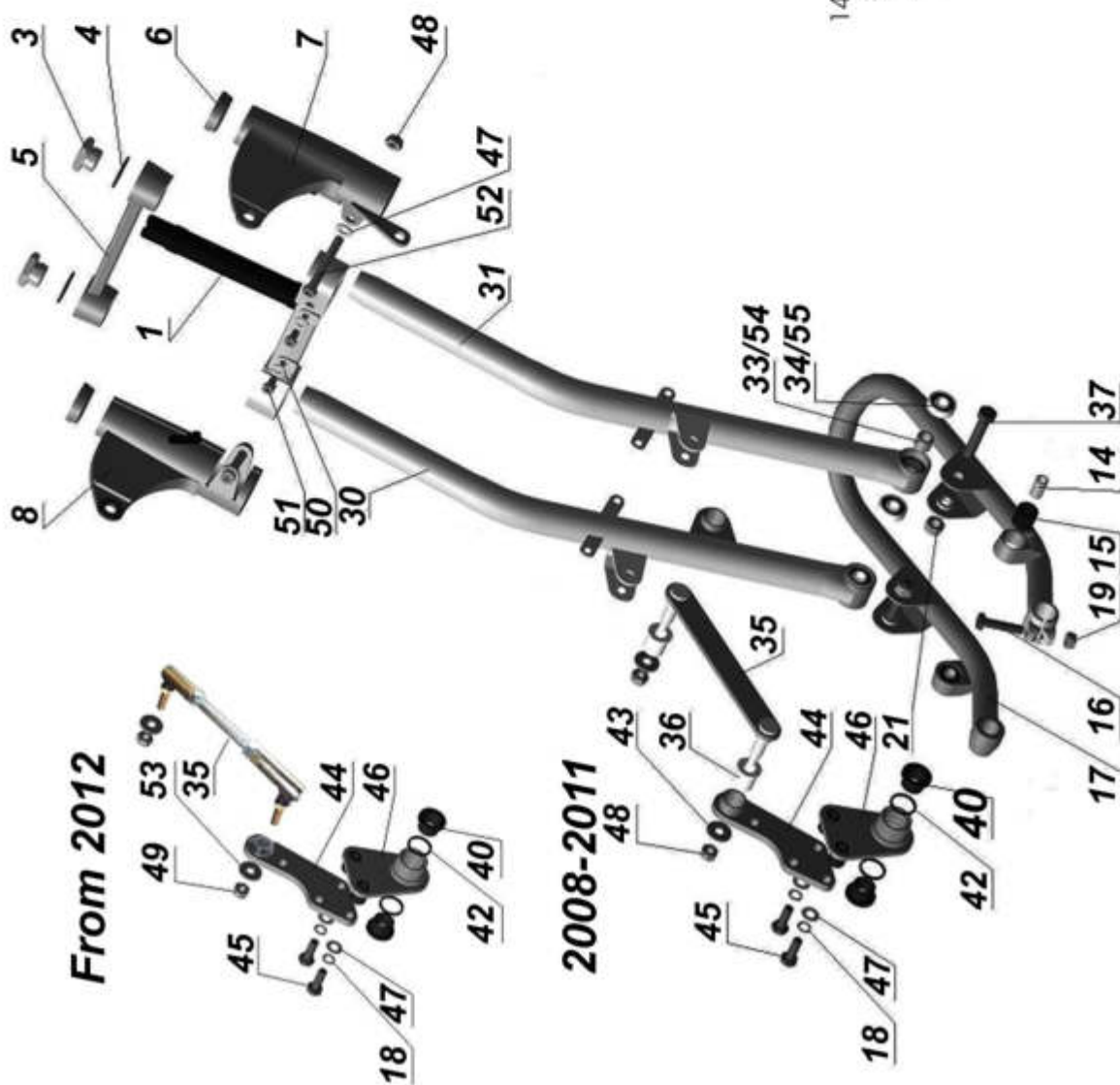
Fig. 25



Until 2006



From 2007



From 2012

2008-2011

Fig. 26

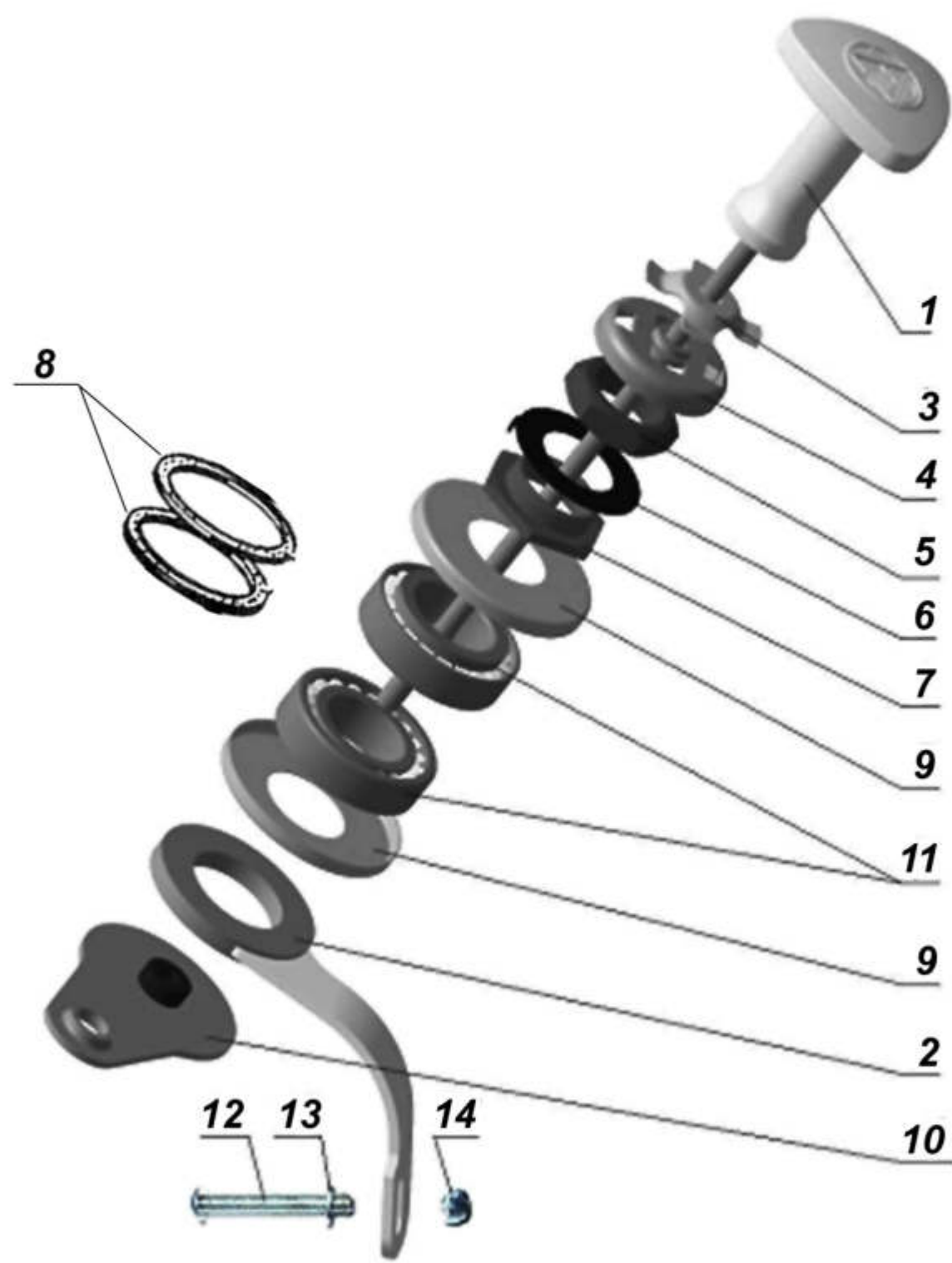


Fig. 27

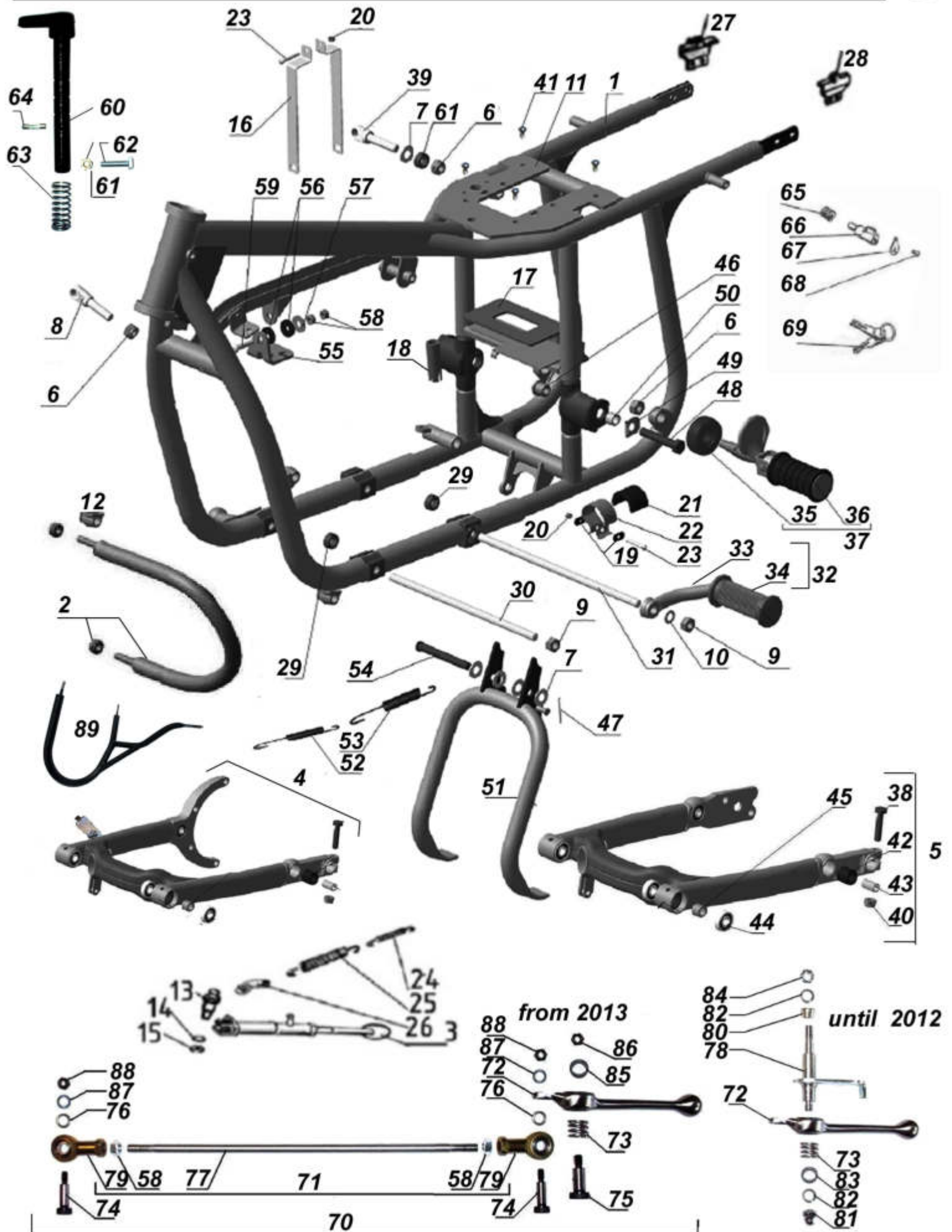


Fig. 28

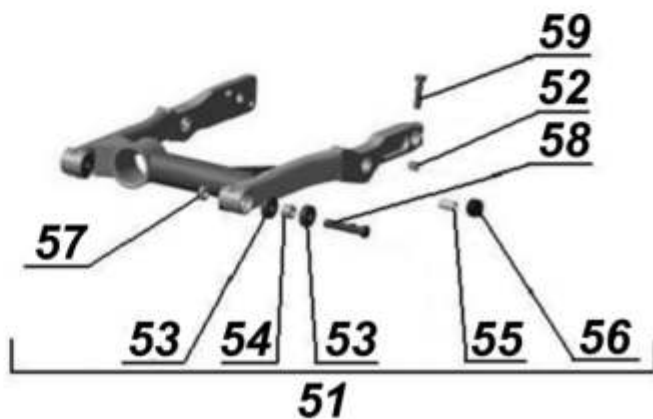
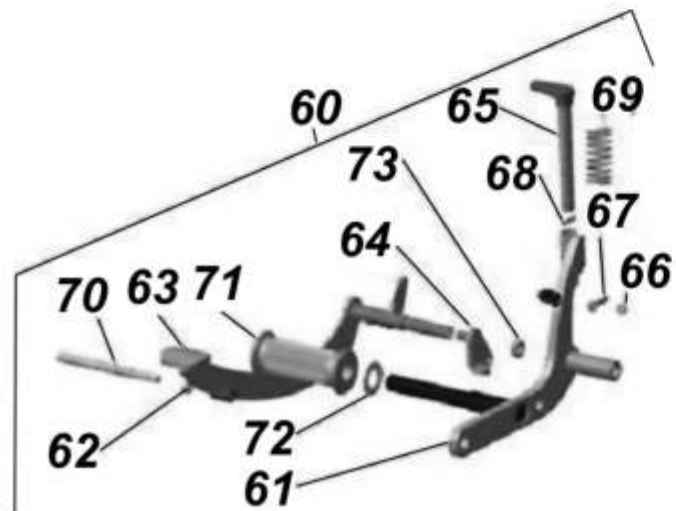
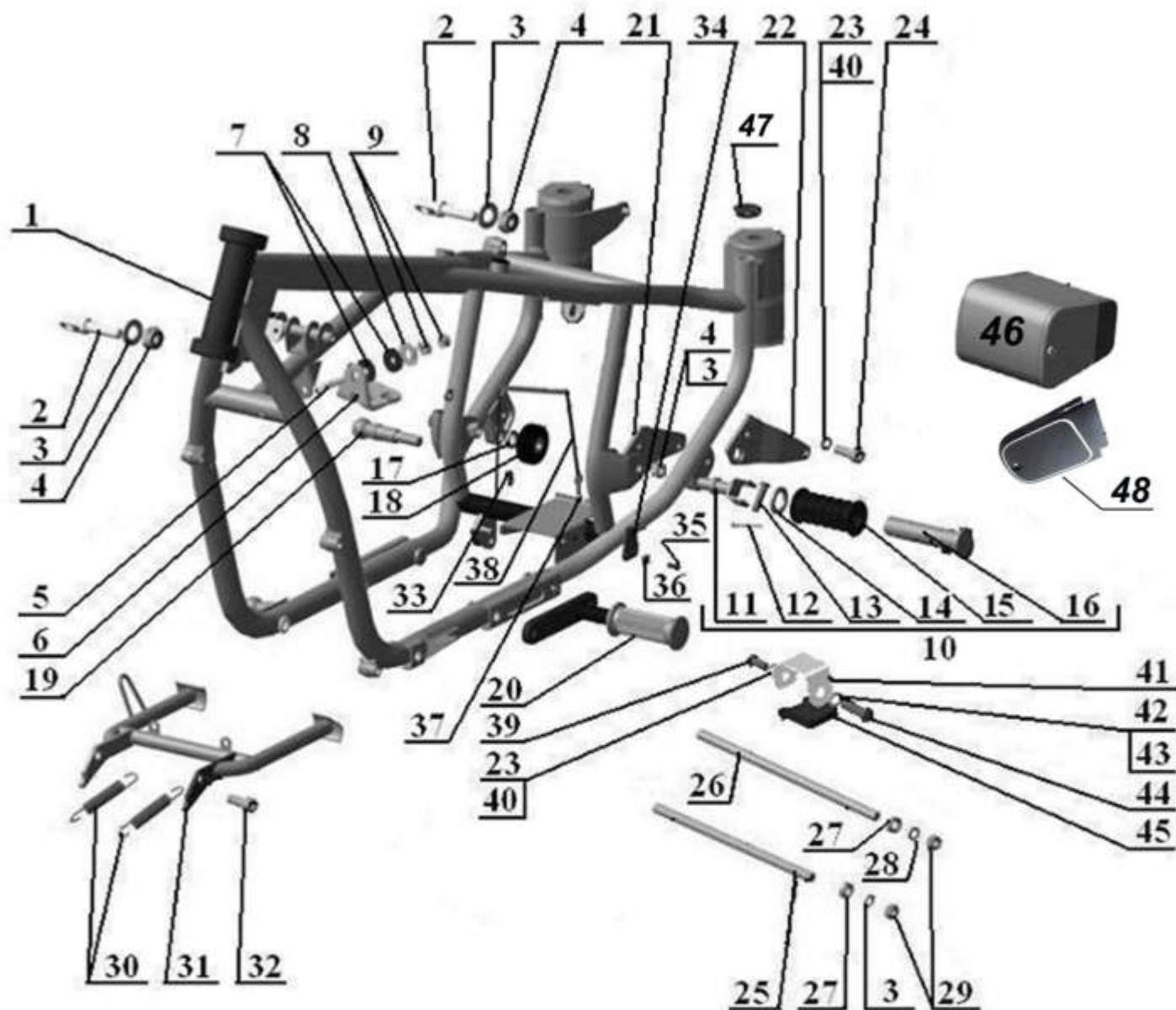


Fig. 29.01

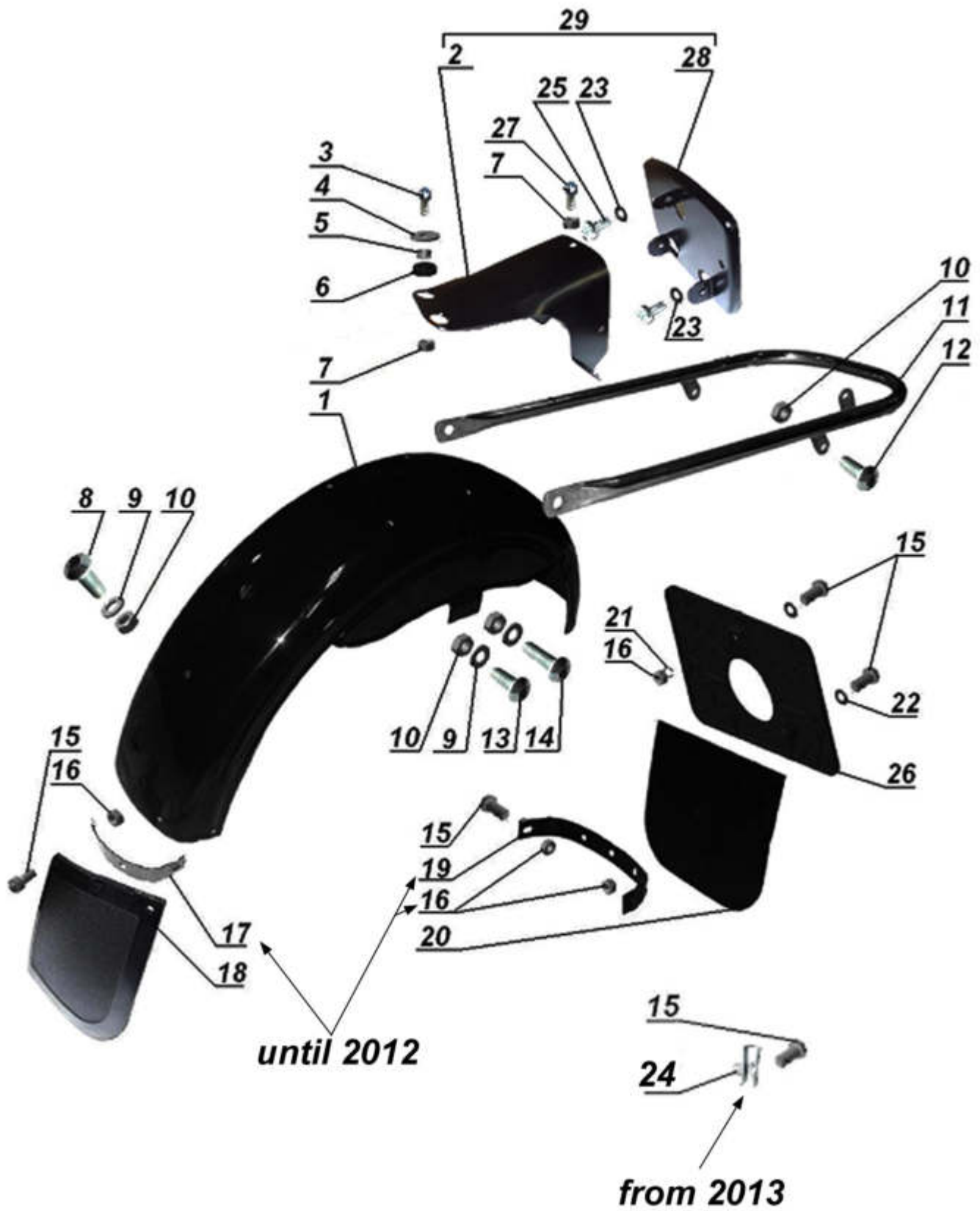


Fig. 29.02

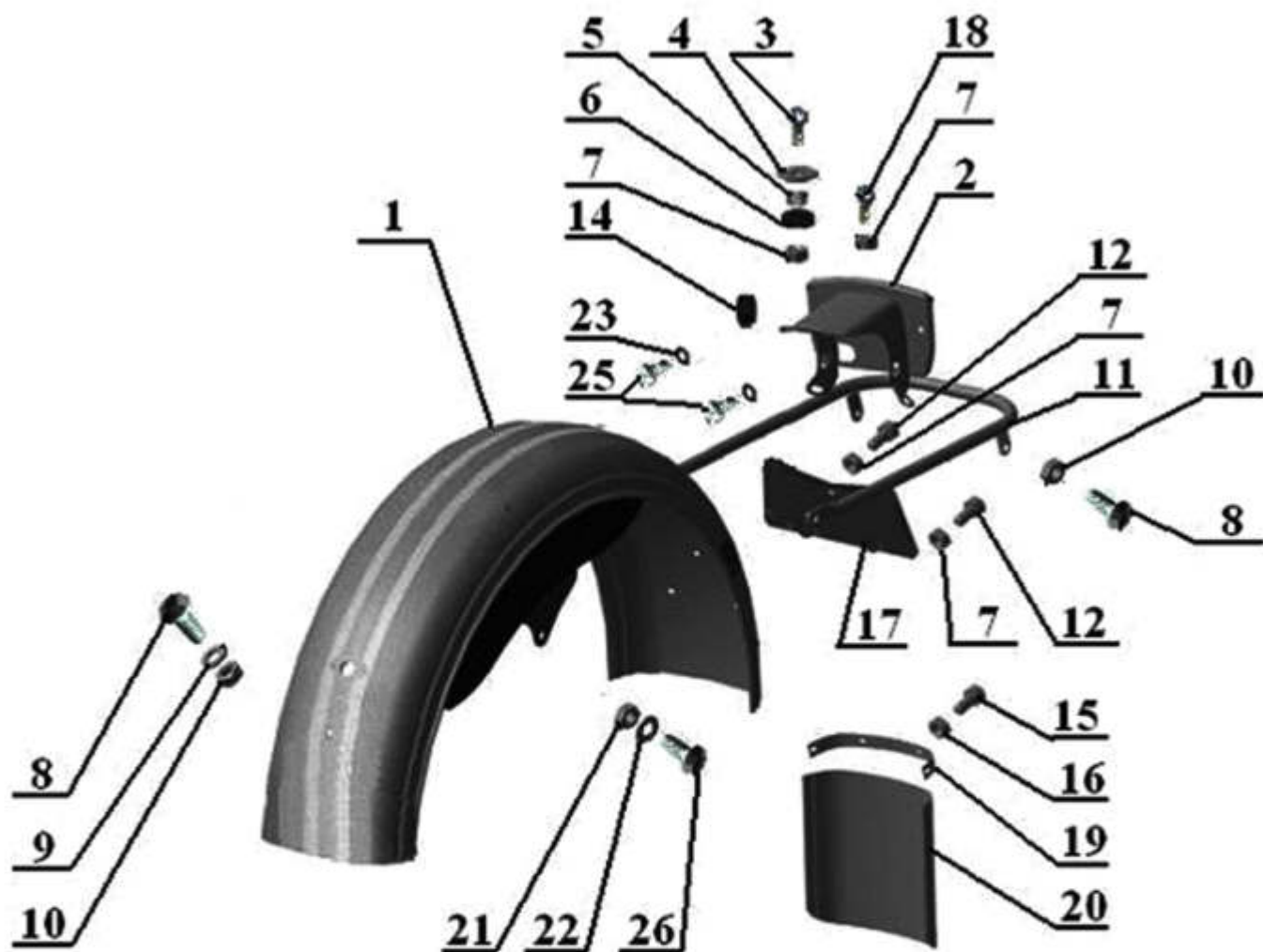
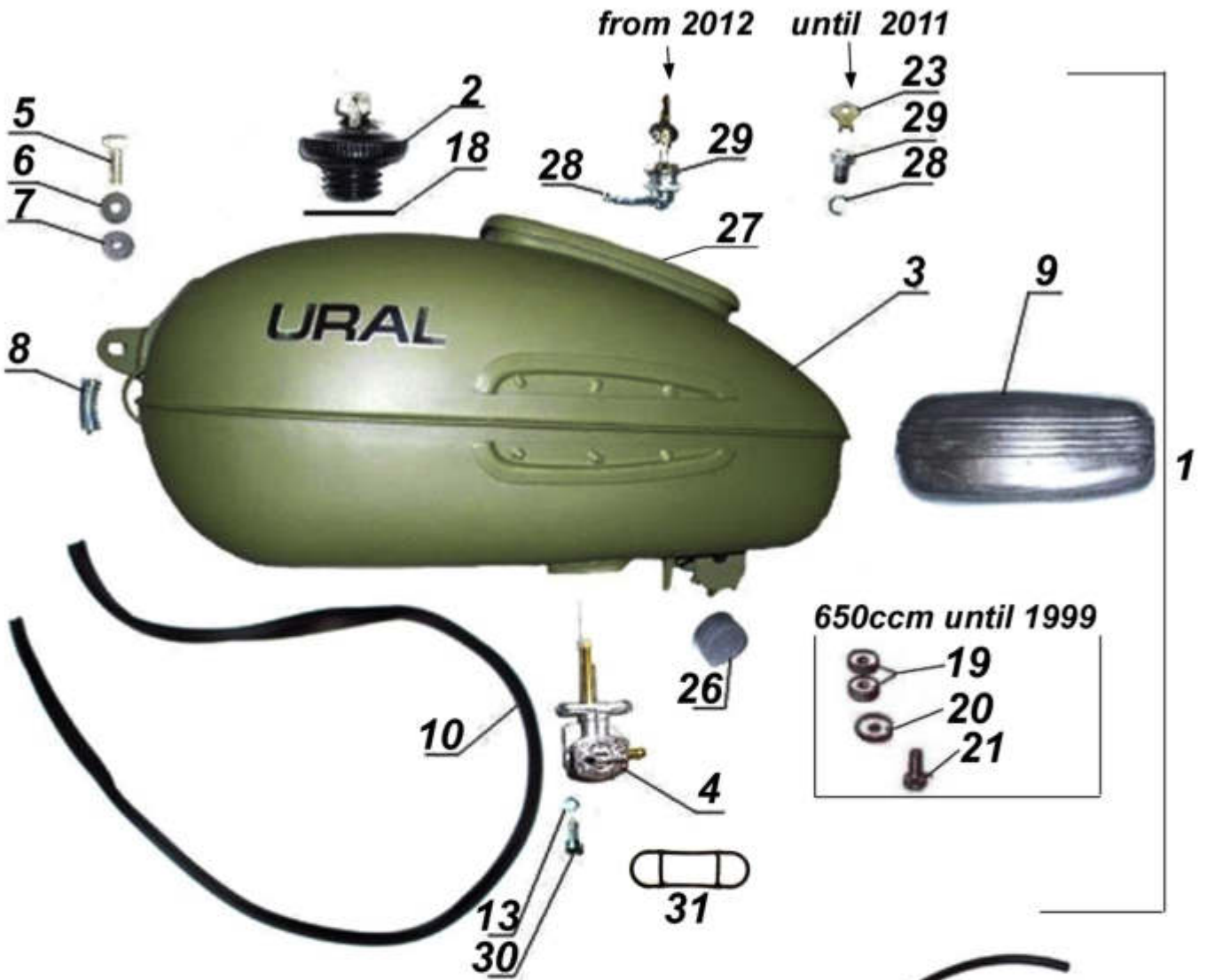


Fig. 30.01



Fuel filter 650ccm



Adapter KP33>Auto petcock

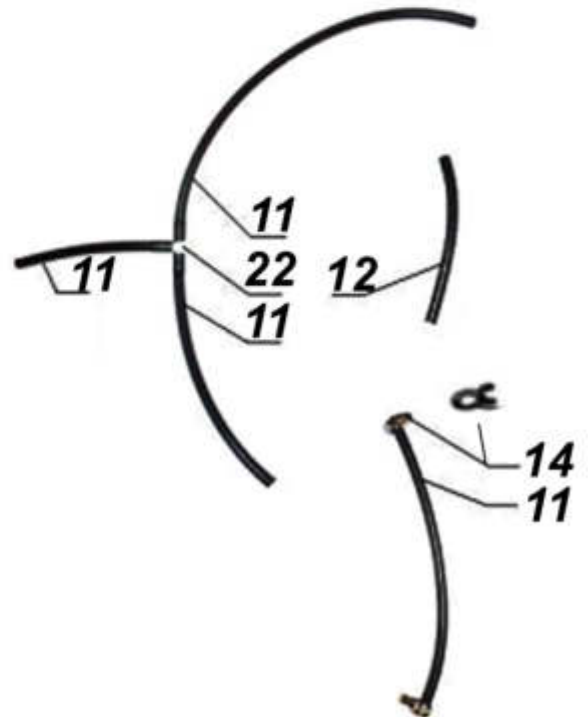
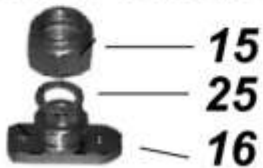


Fig. 30.02

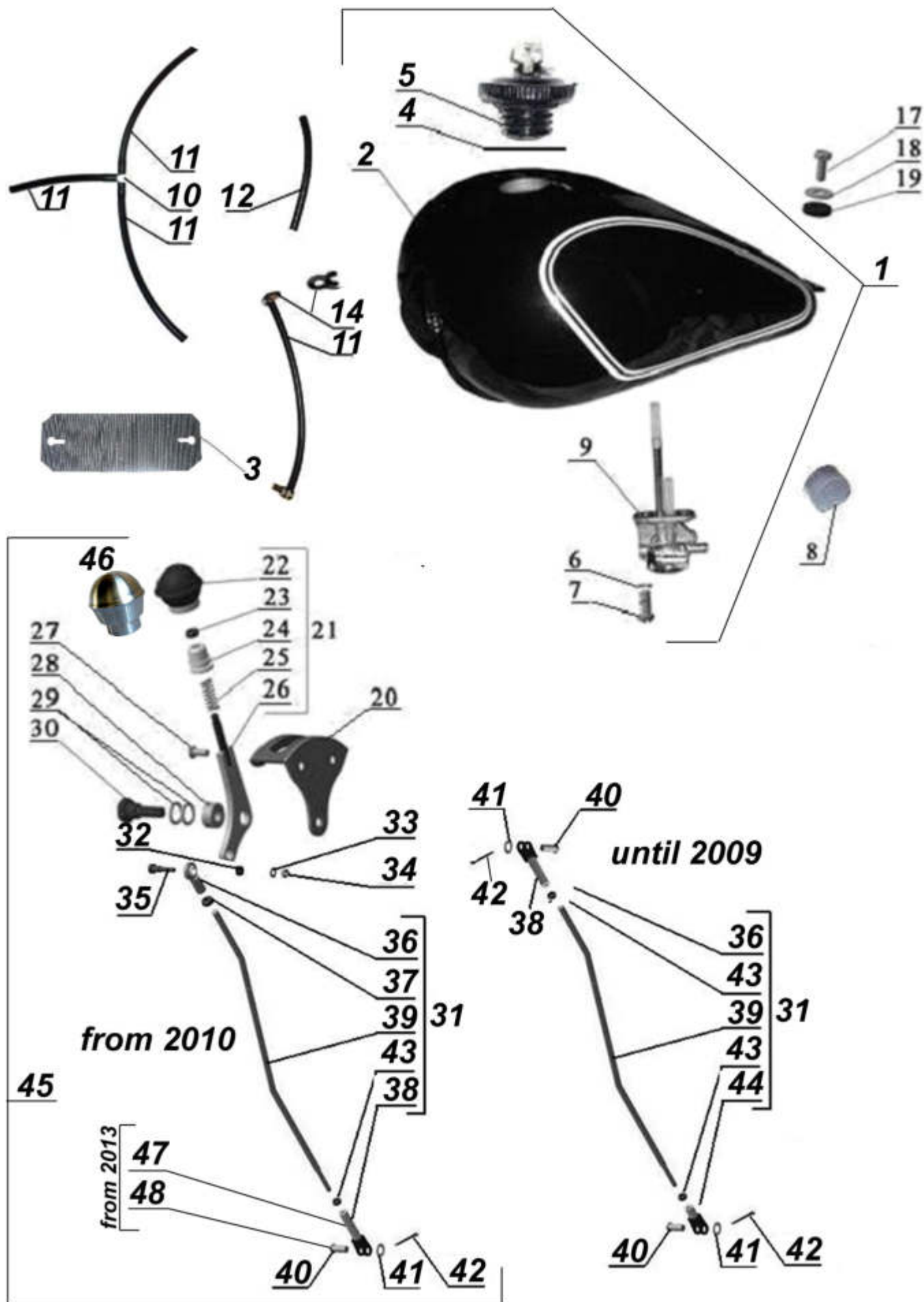


Fig. 31

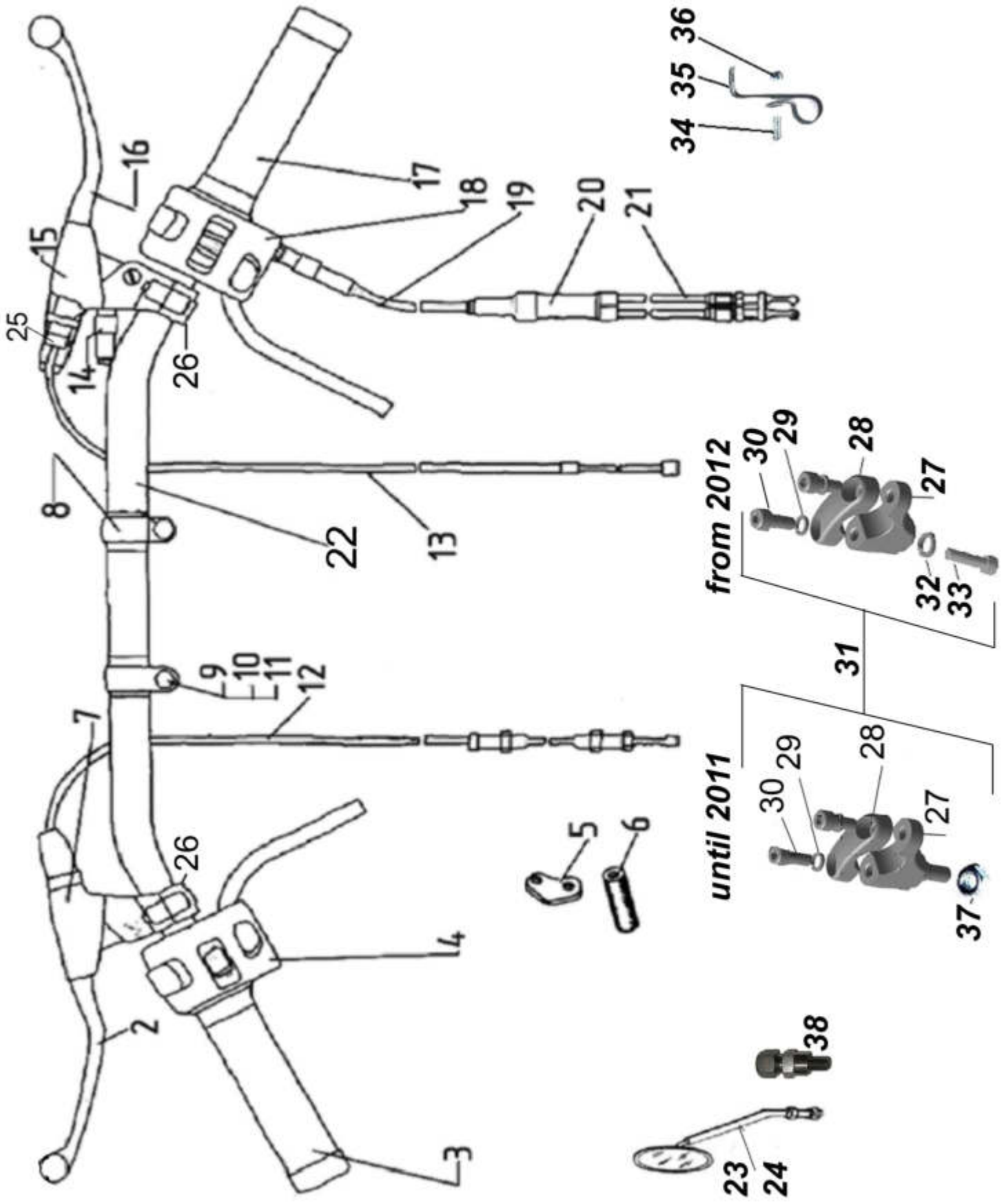


Fig. 32

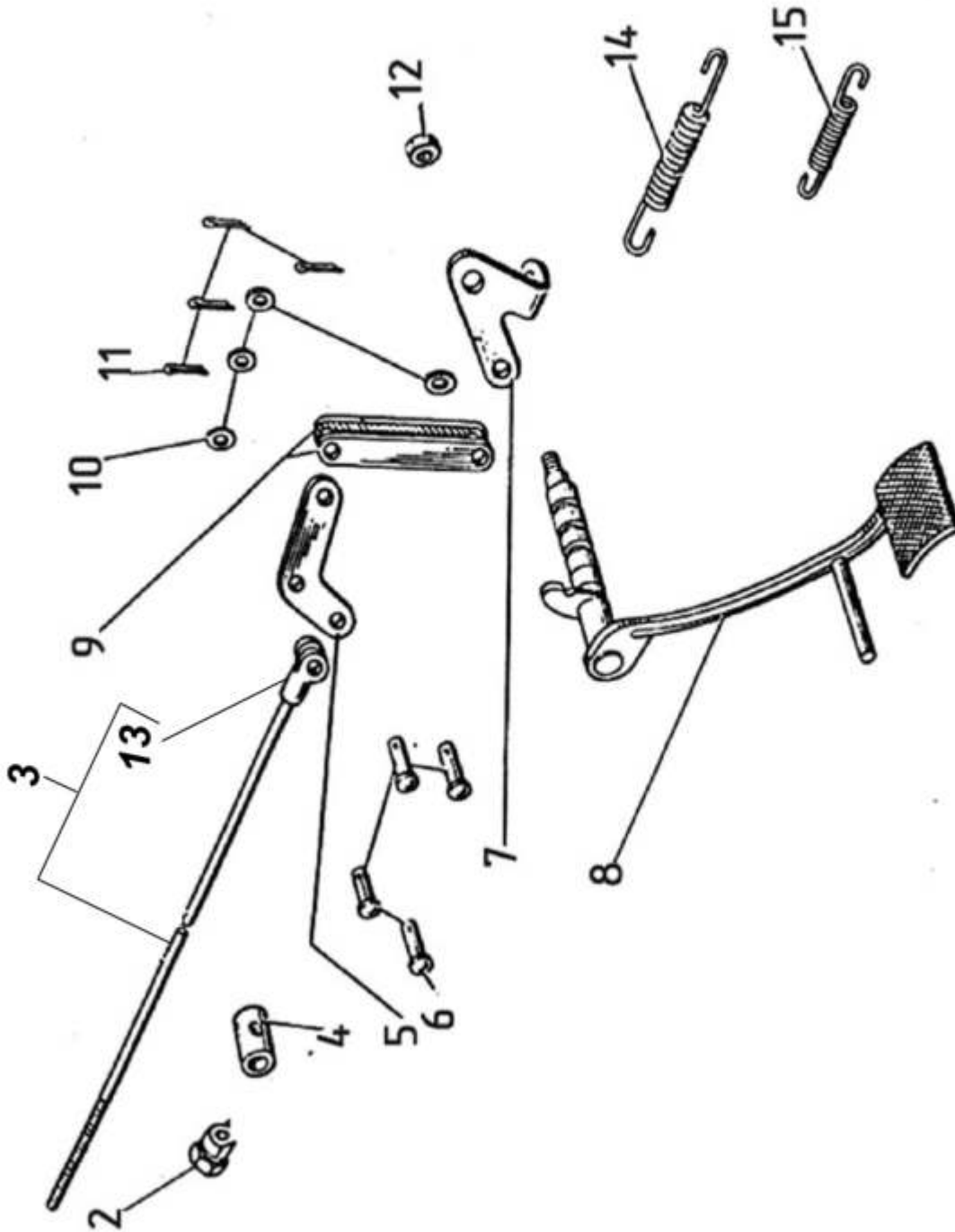


Fig. 33

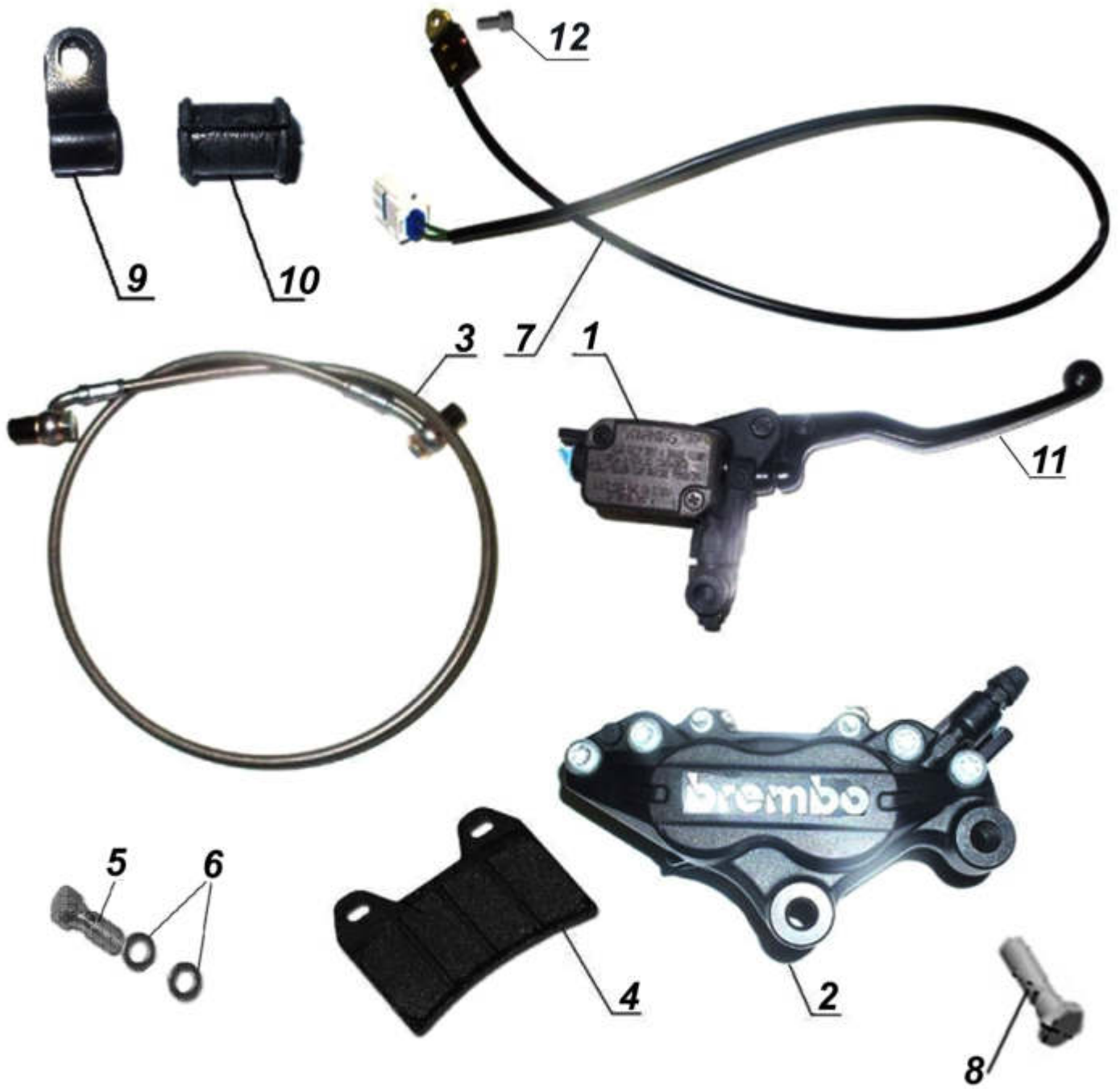


Fig. 34.02

750ccm from 2009

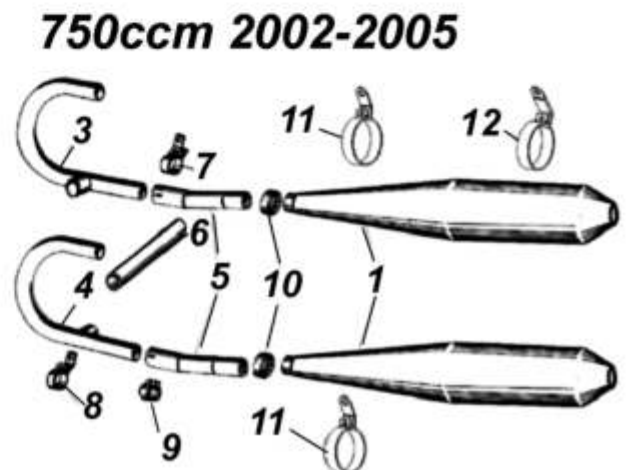
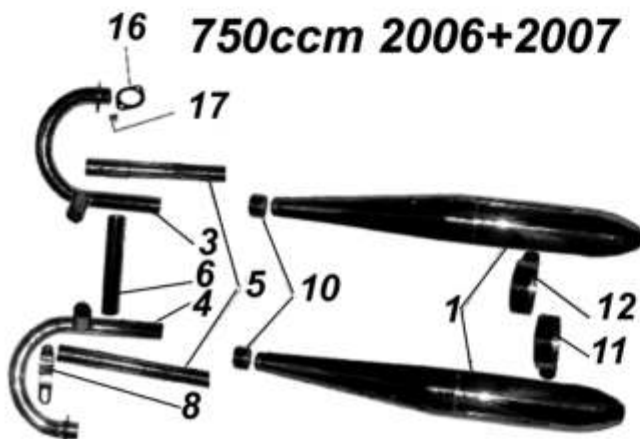
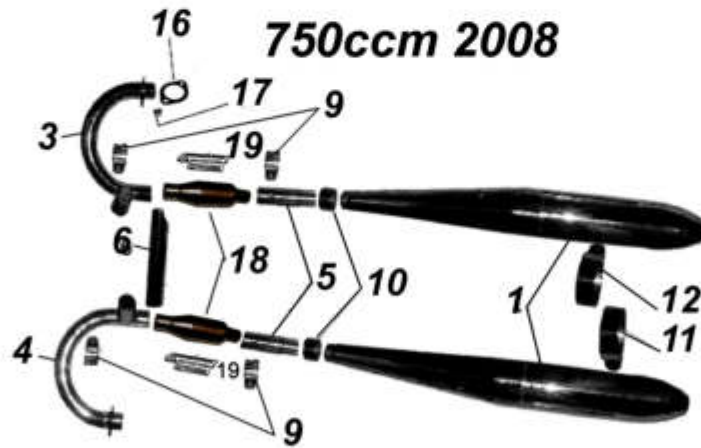
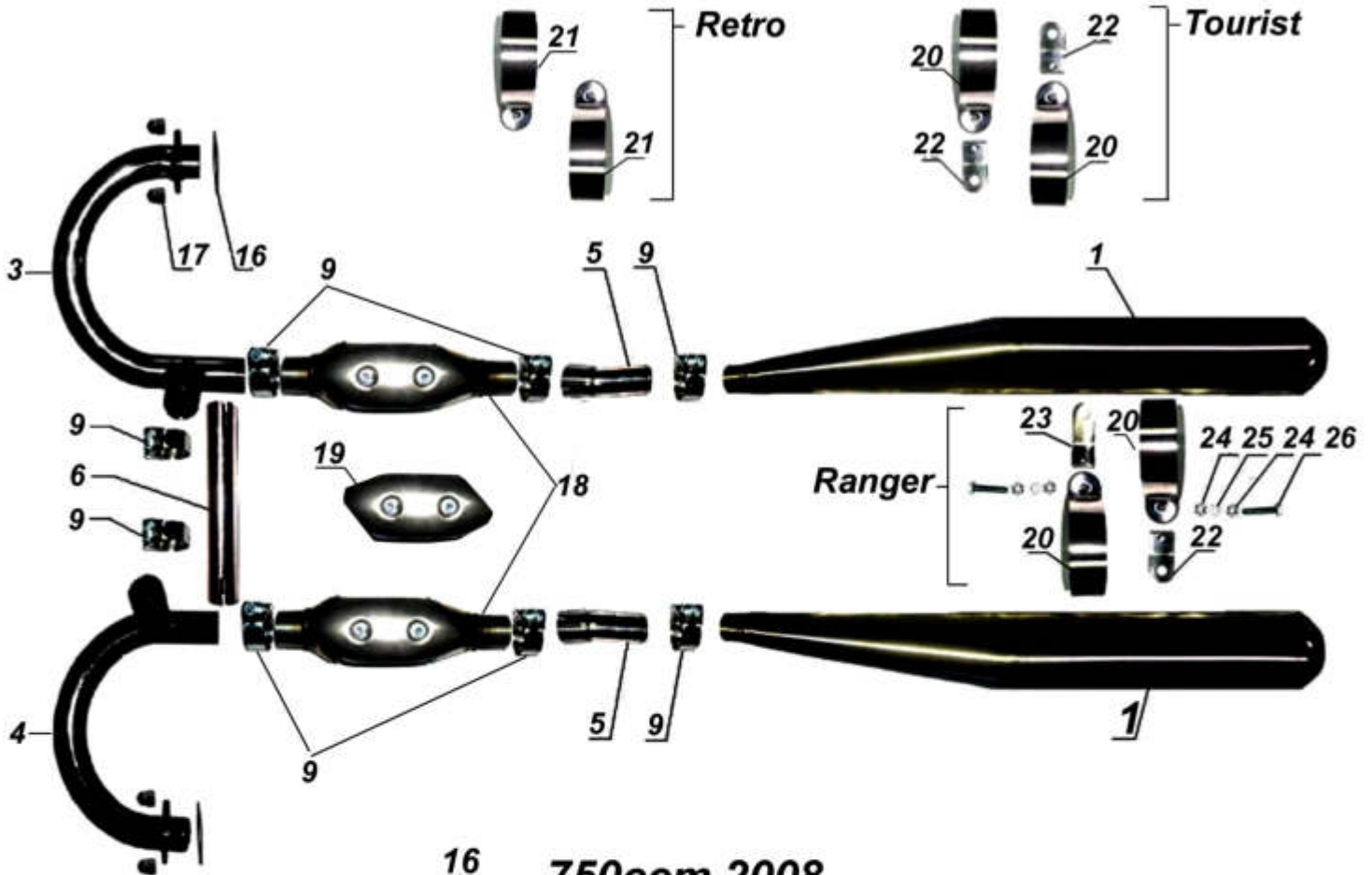


Fig. 34.03

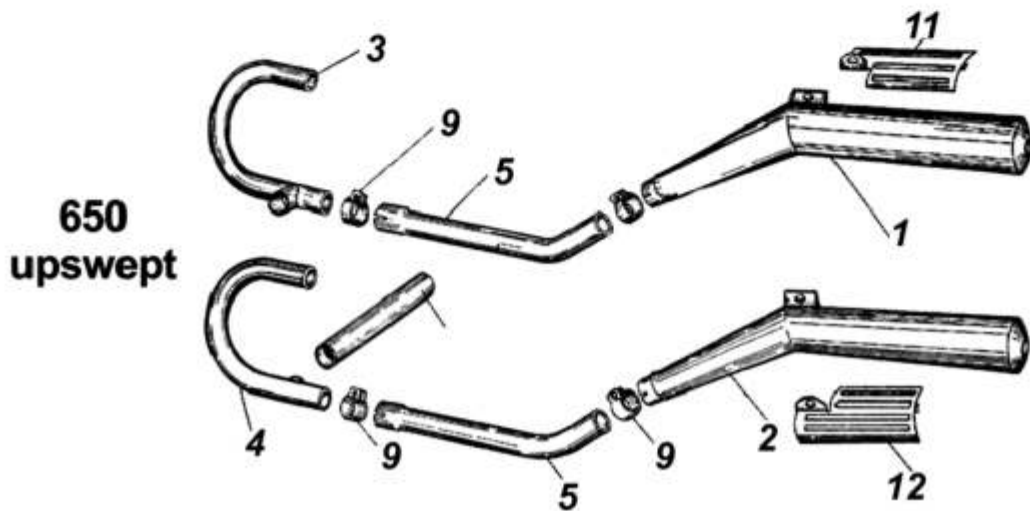
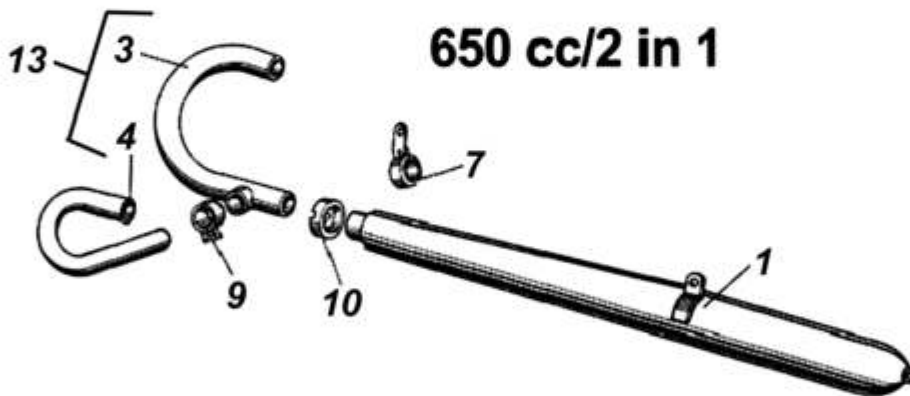
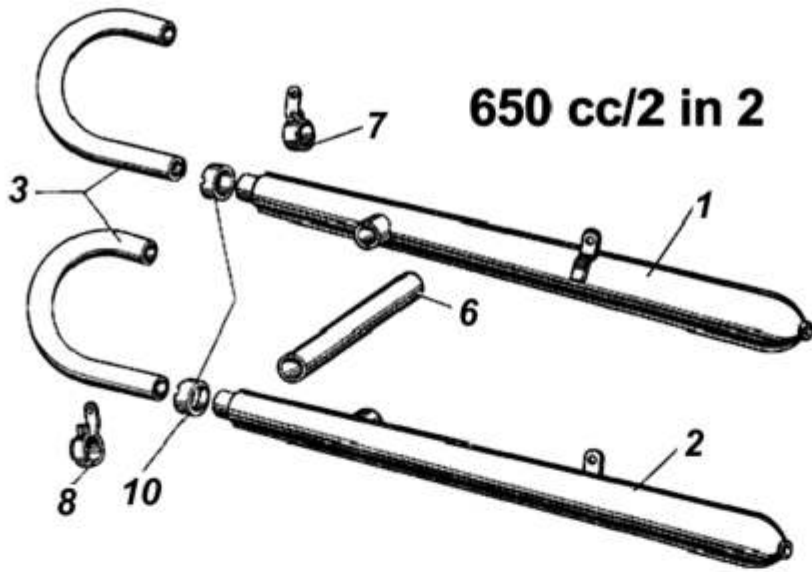


Fig. 35

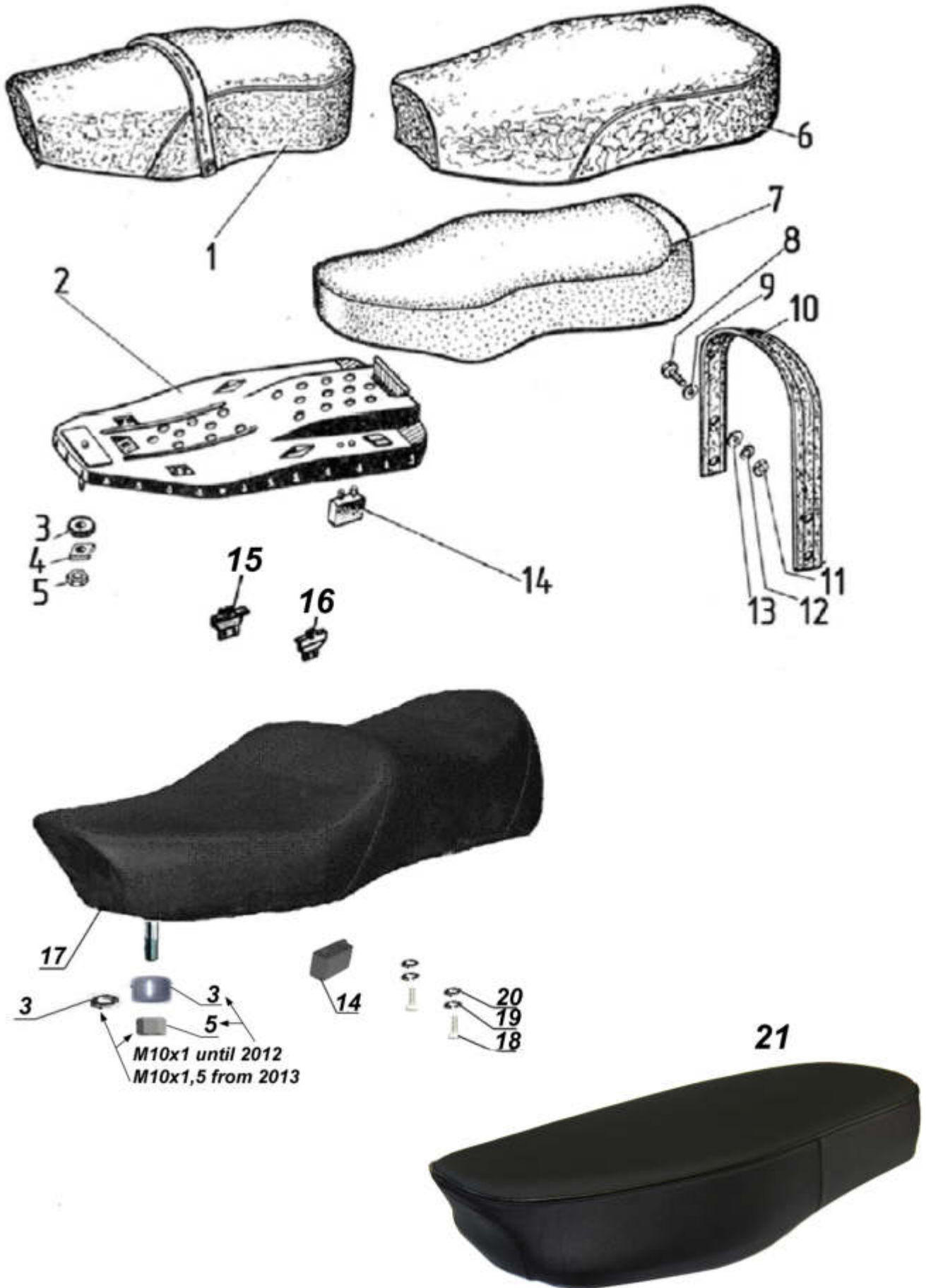


Fig. 37

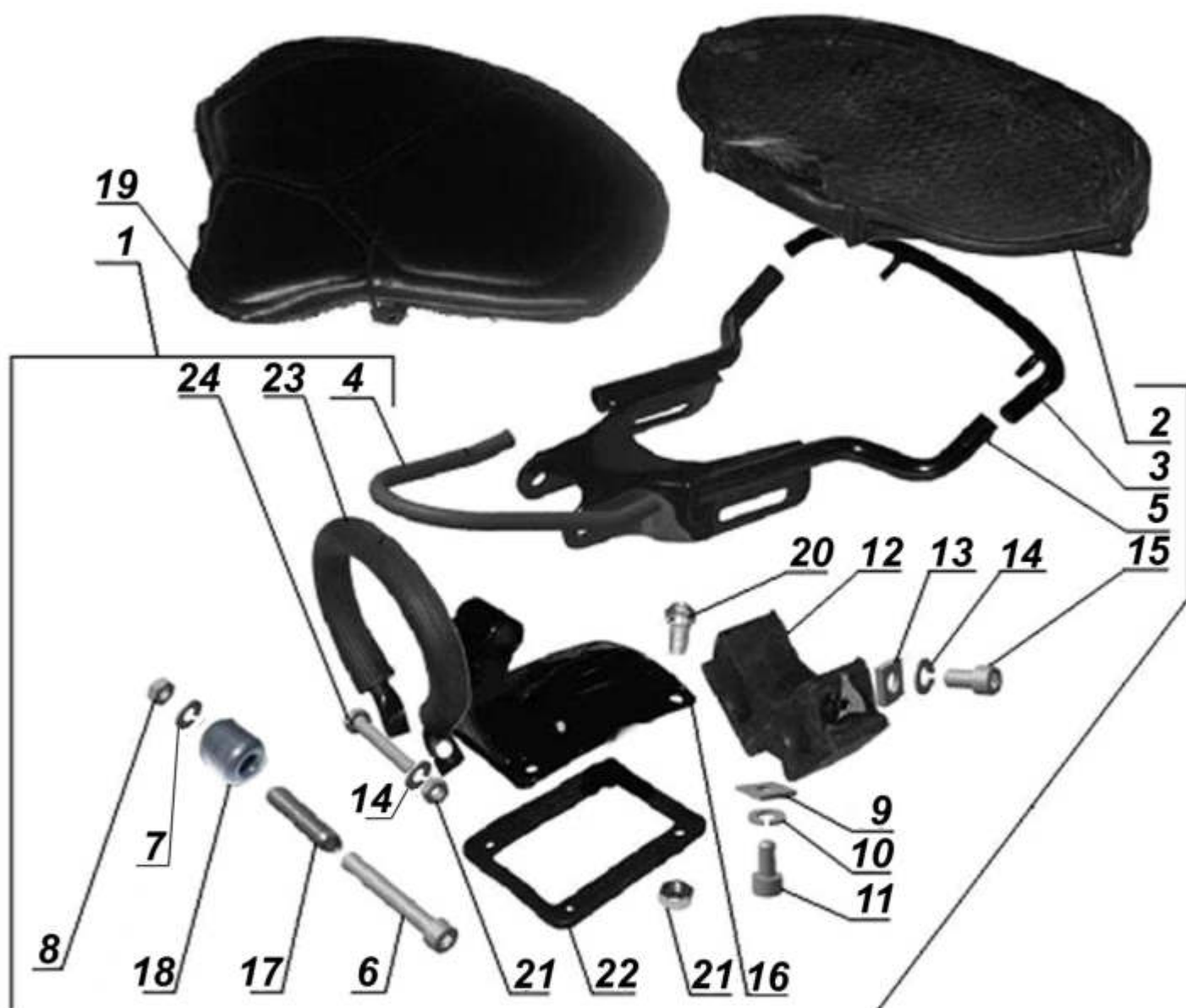
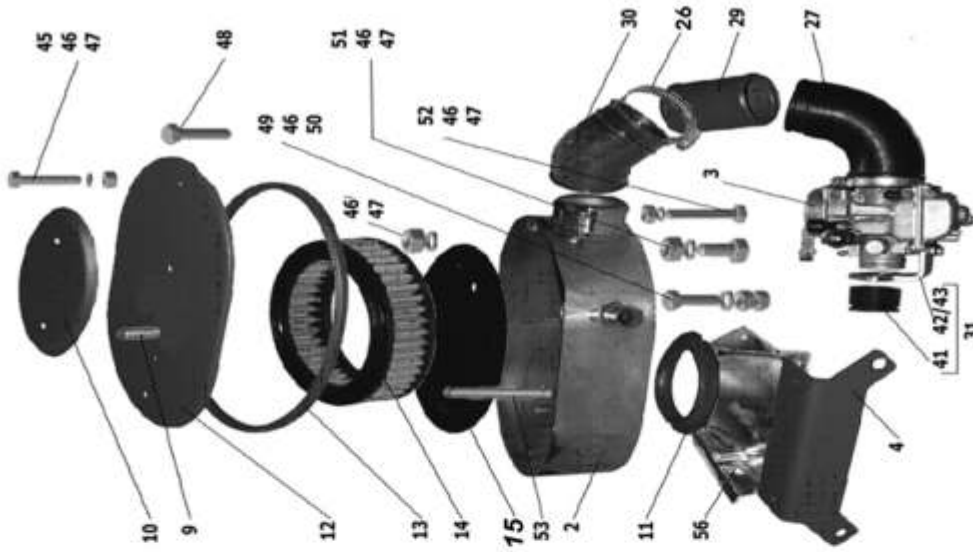


Fig. 38.01



2006 - 2007



Until 2005

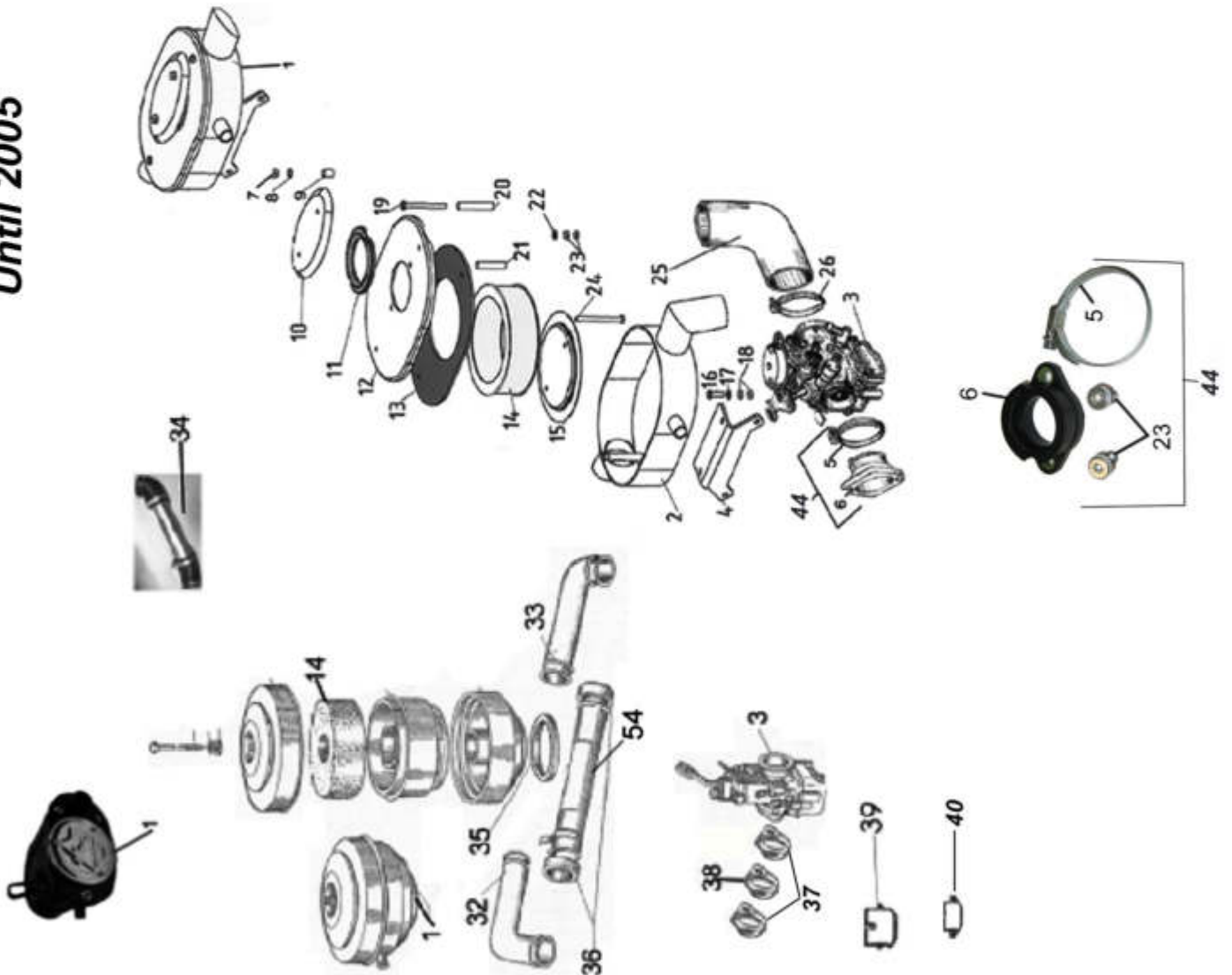
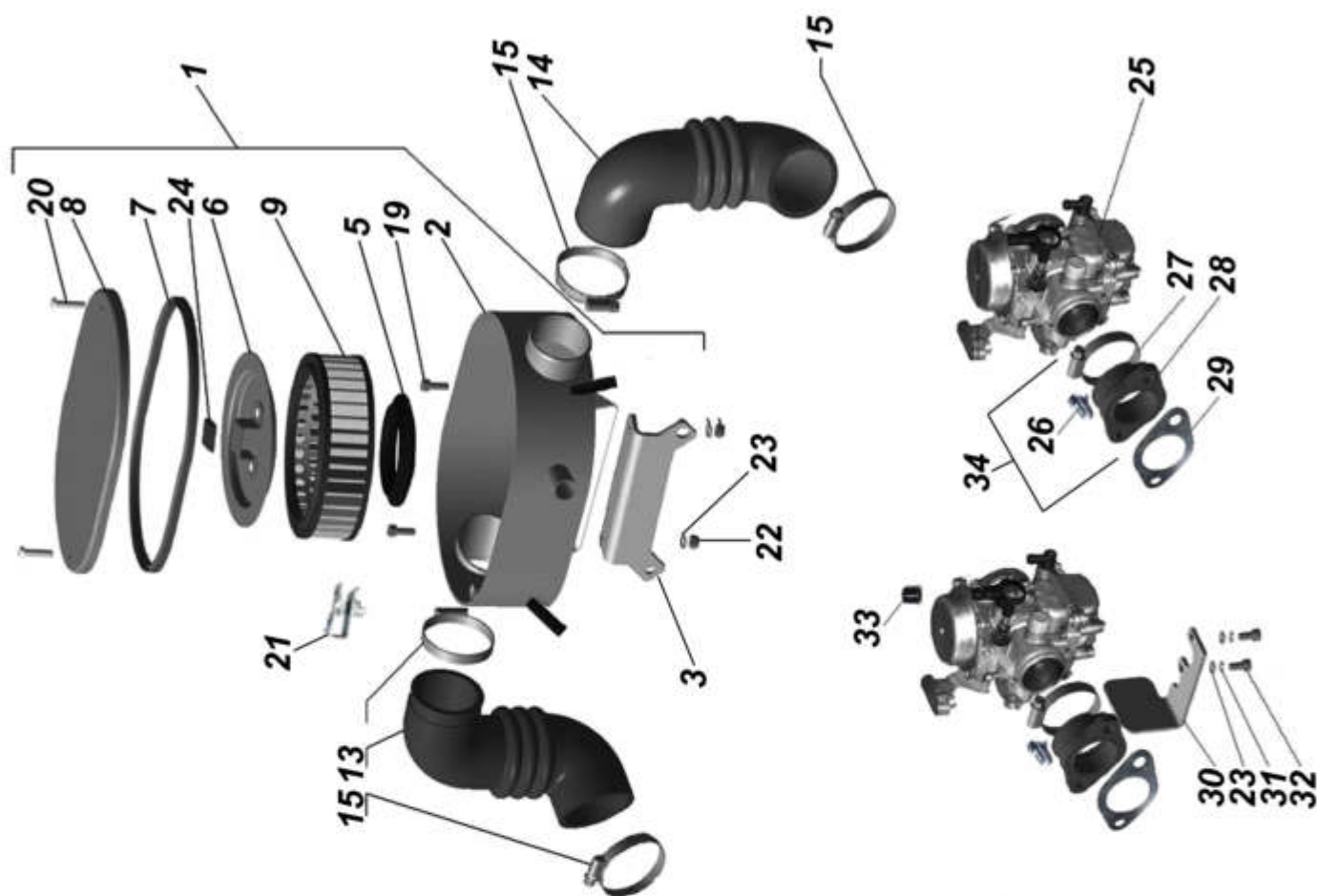


Fig. 38.02



2013



2008 - 2012

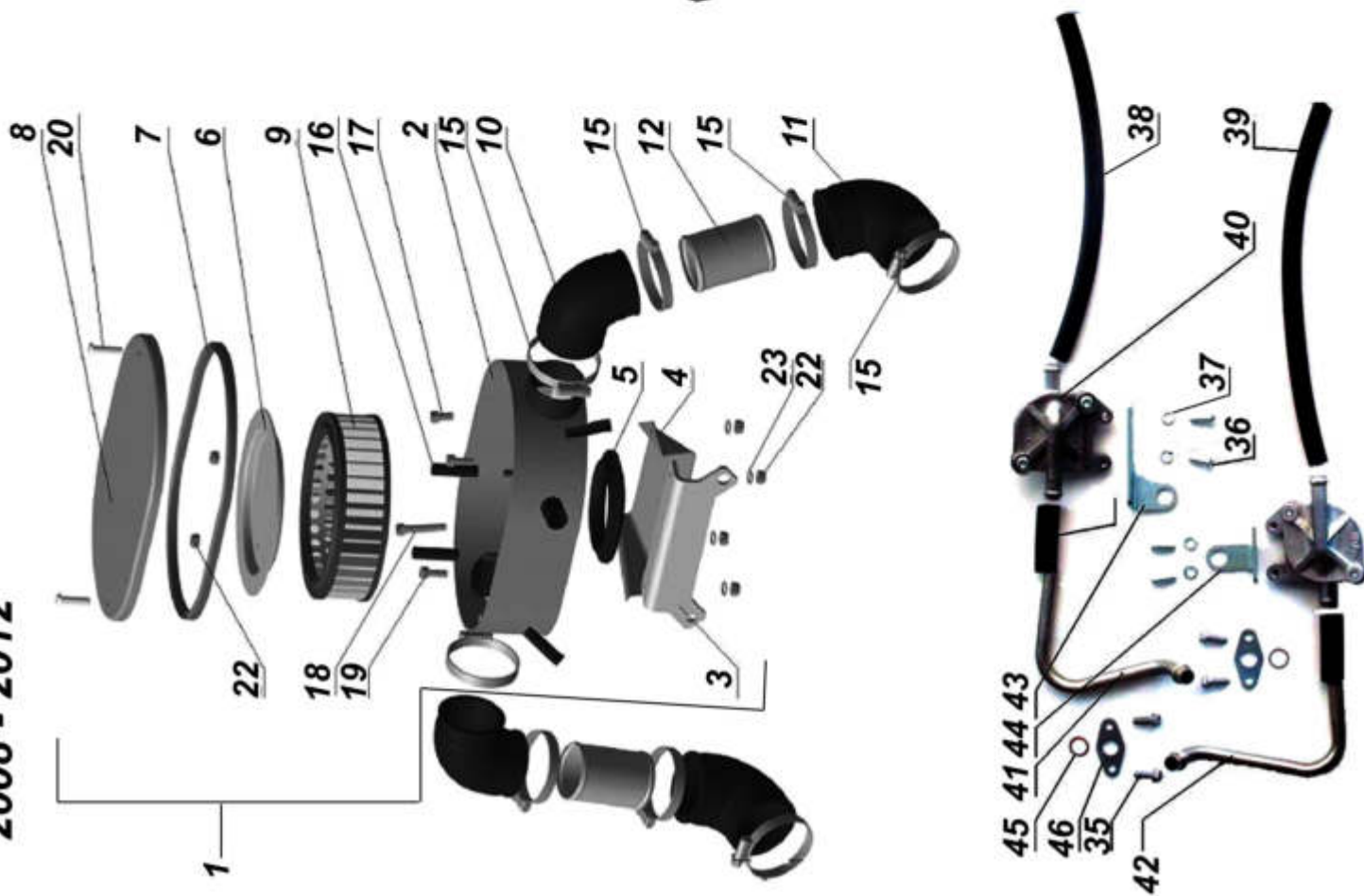


Fig. 39

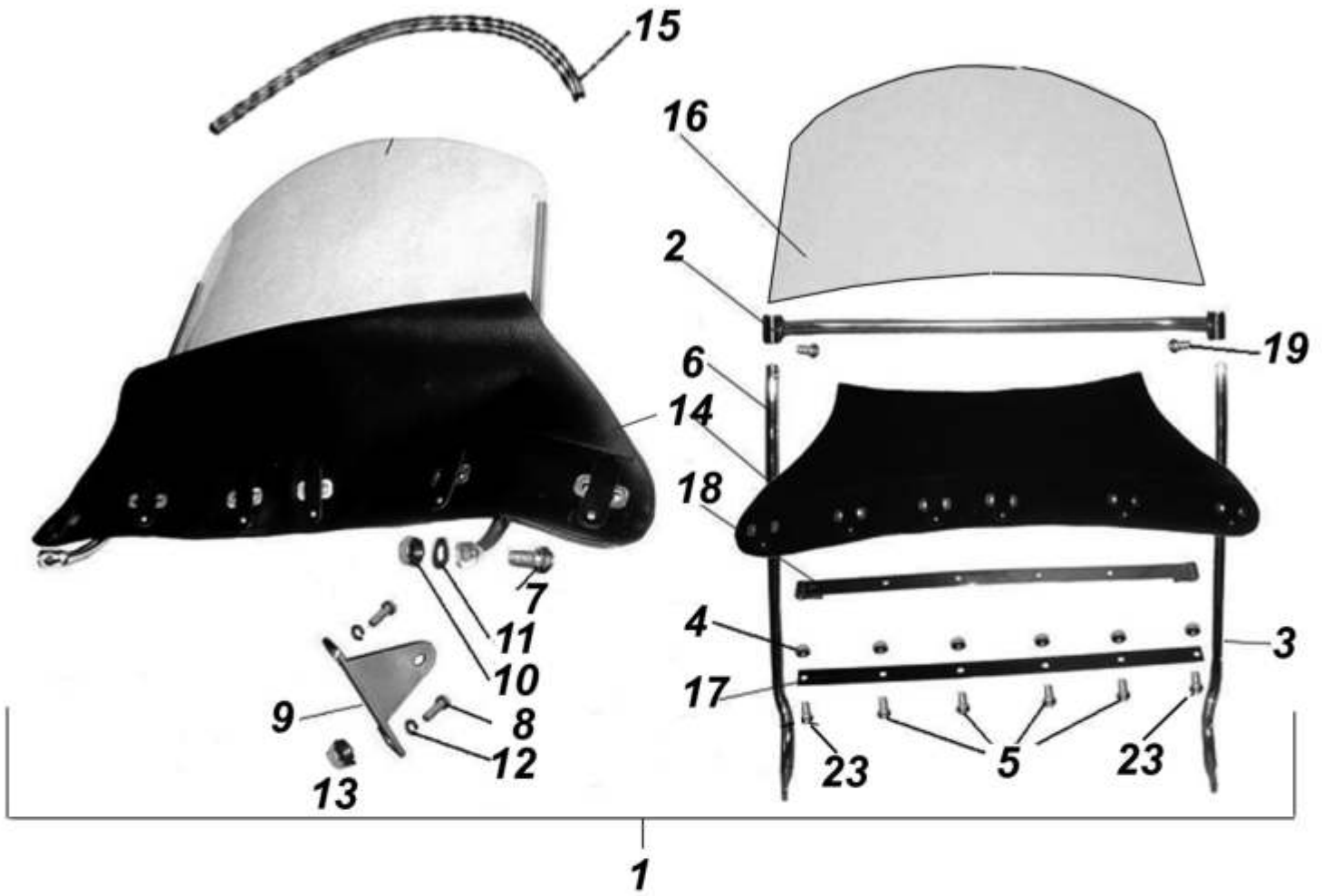
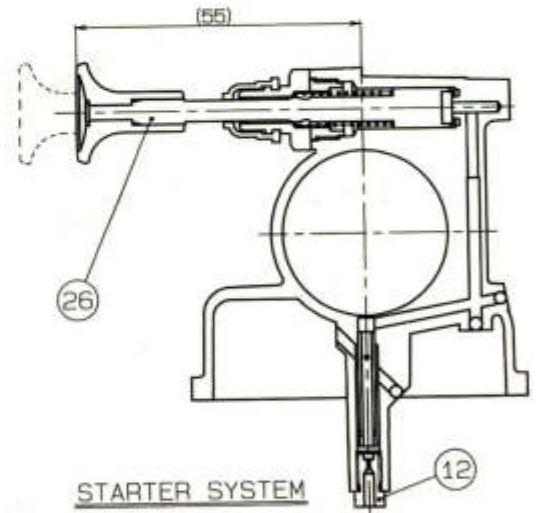
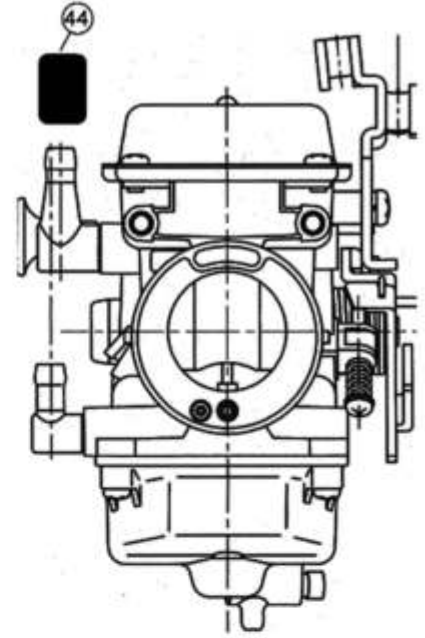
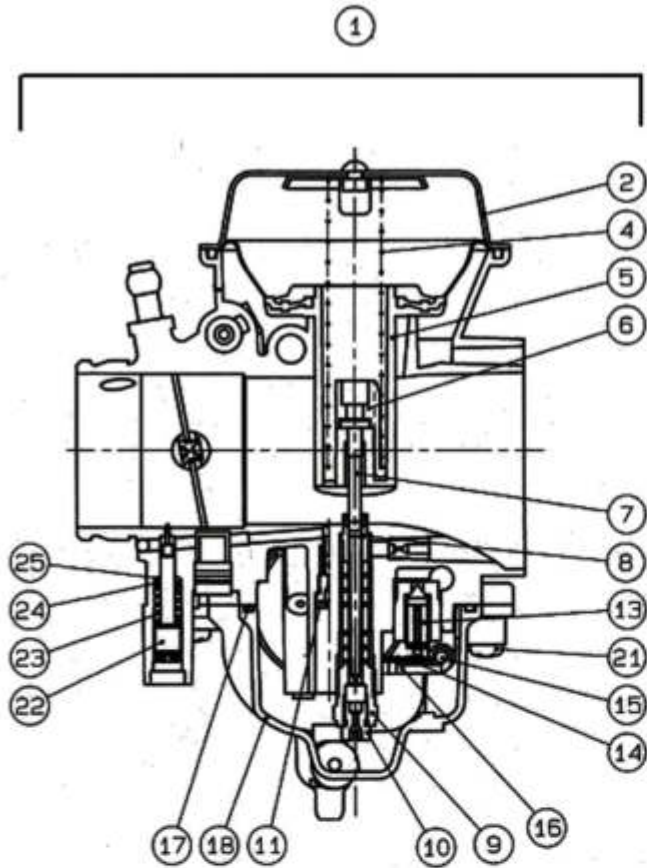
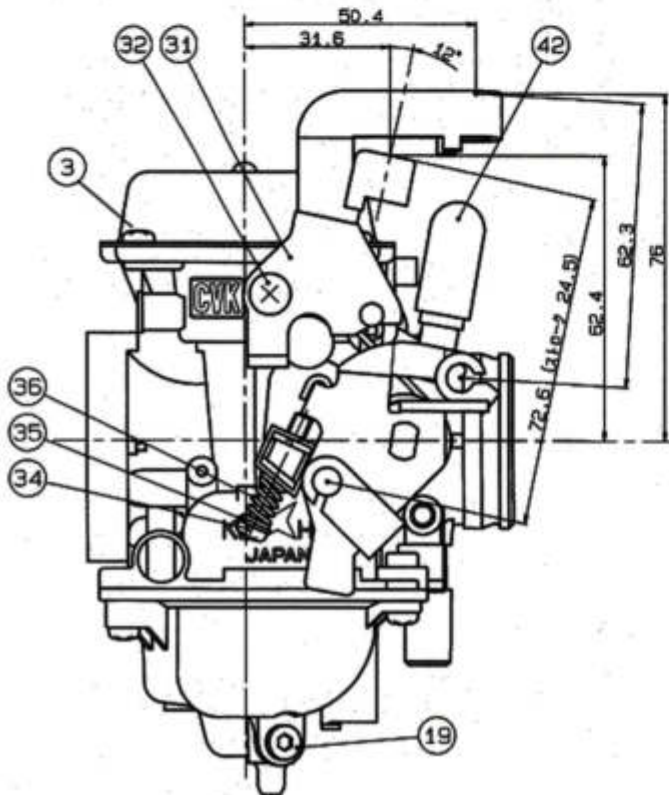


Fig. 40



STARTER SYSTEM



45

Fig. 41

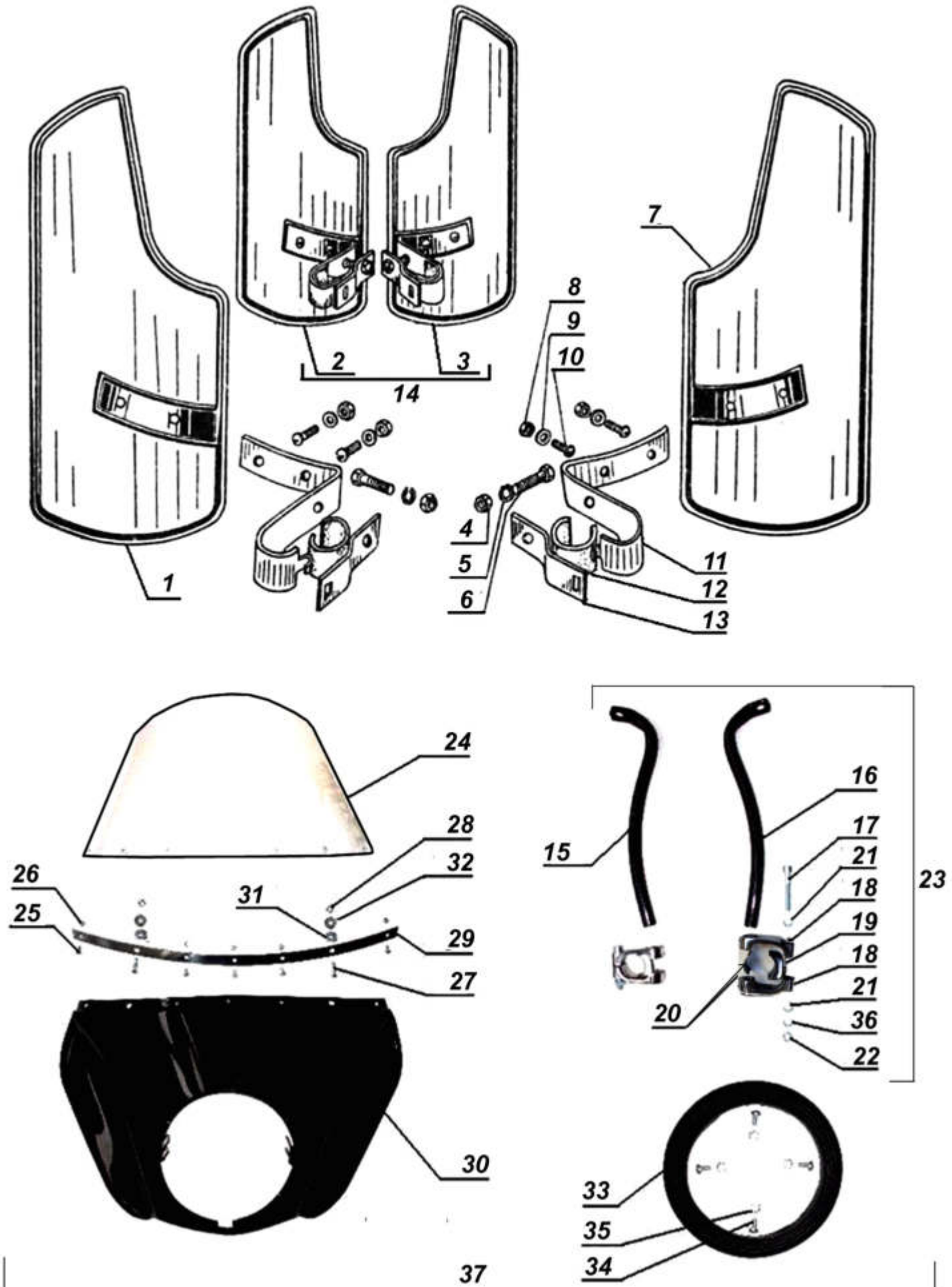


Fig. 42

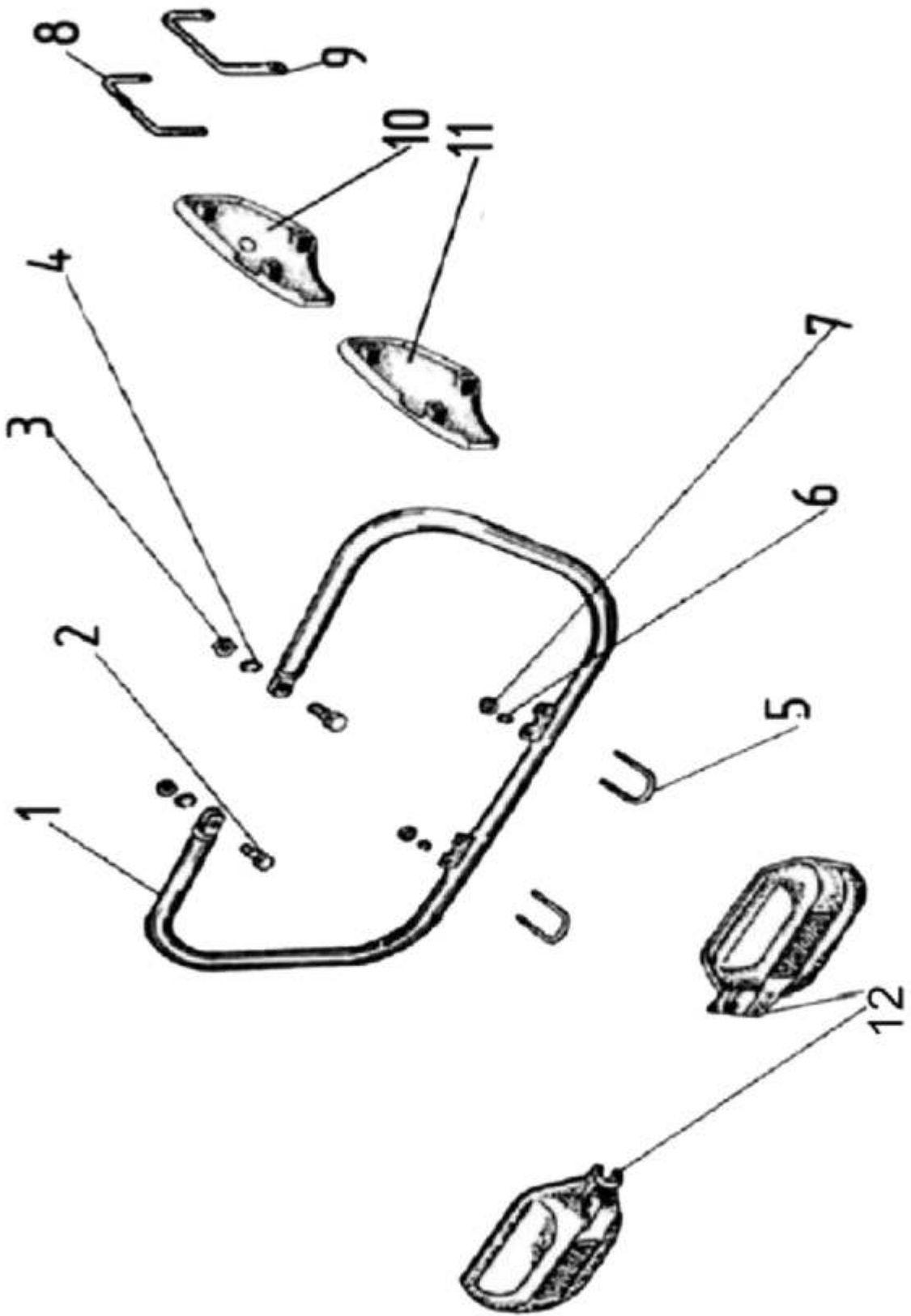


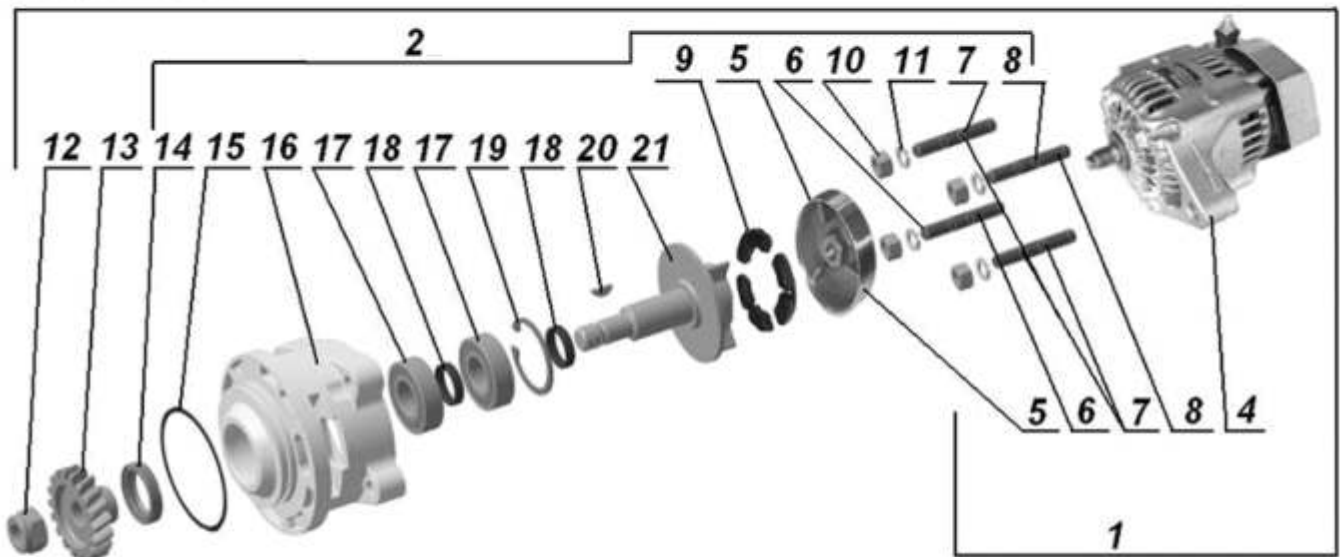
Fig. 43.01



Fig. 43.02



Until 2012



From 2013

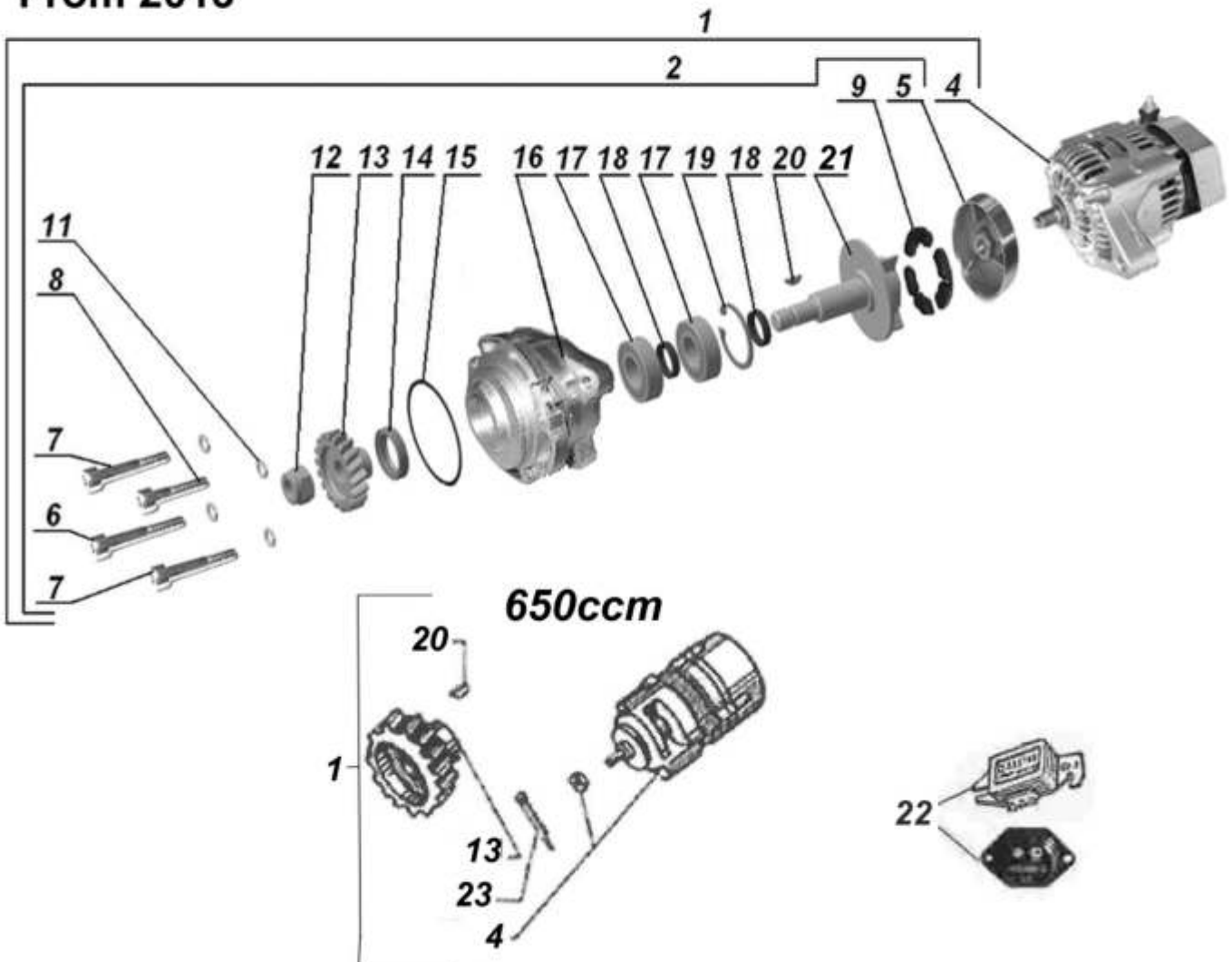
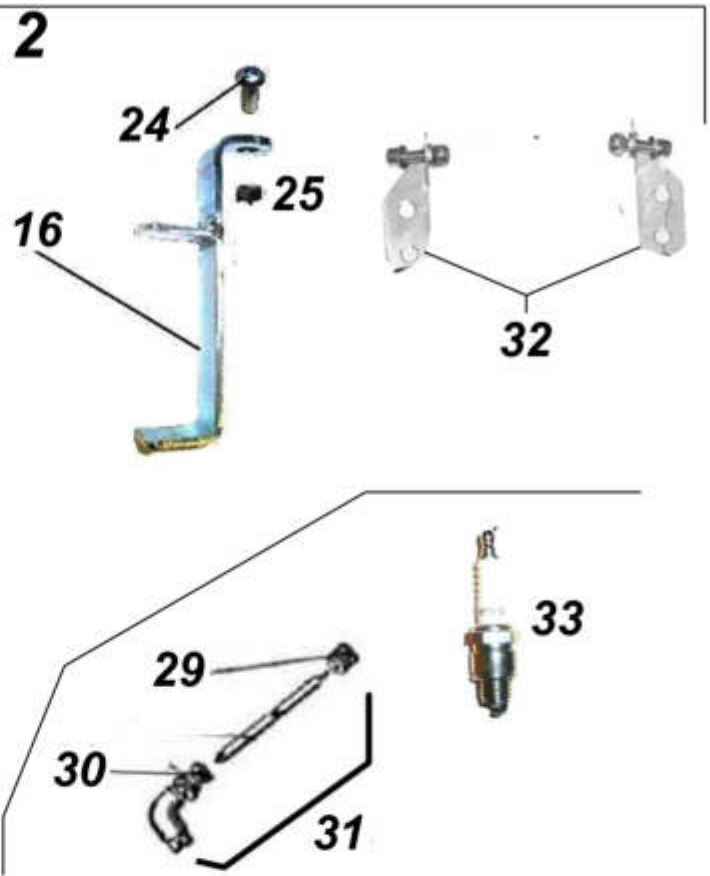


Fig. 43.03



until 2011

from 2012

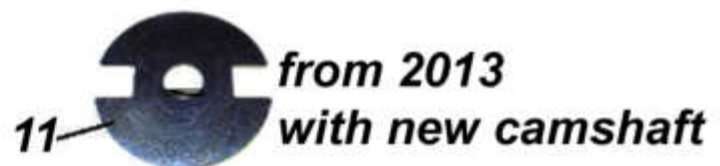
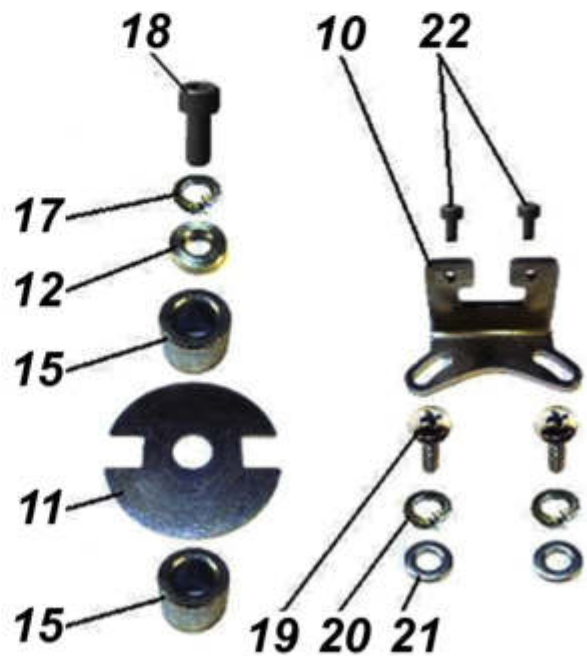
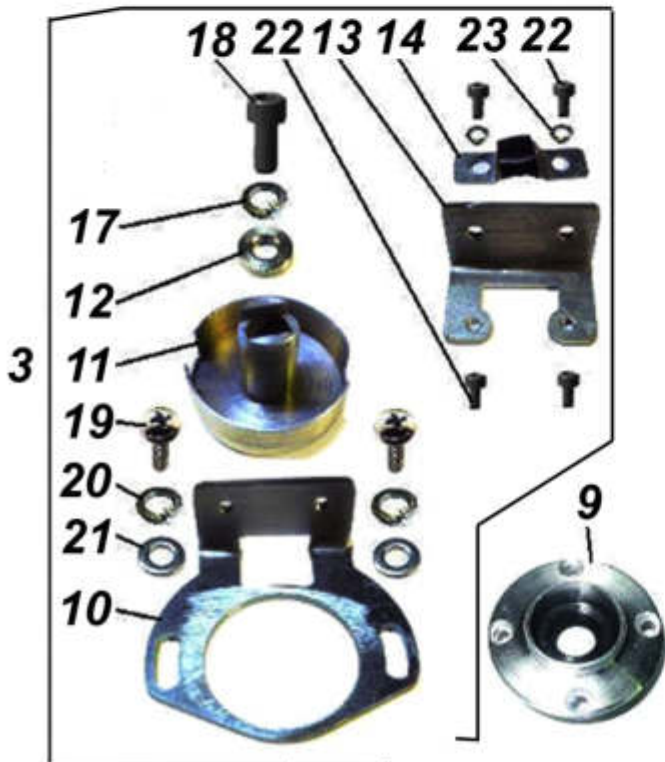


Fig. 44

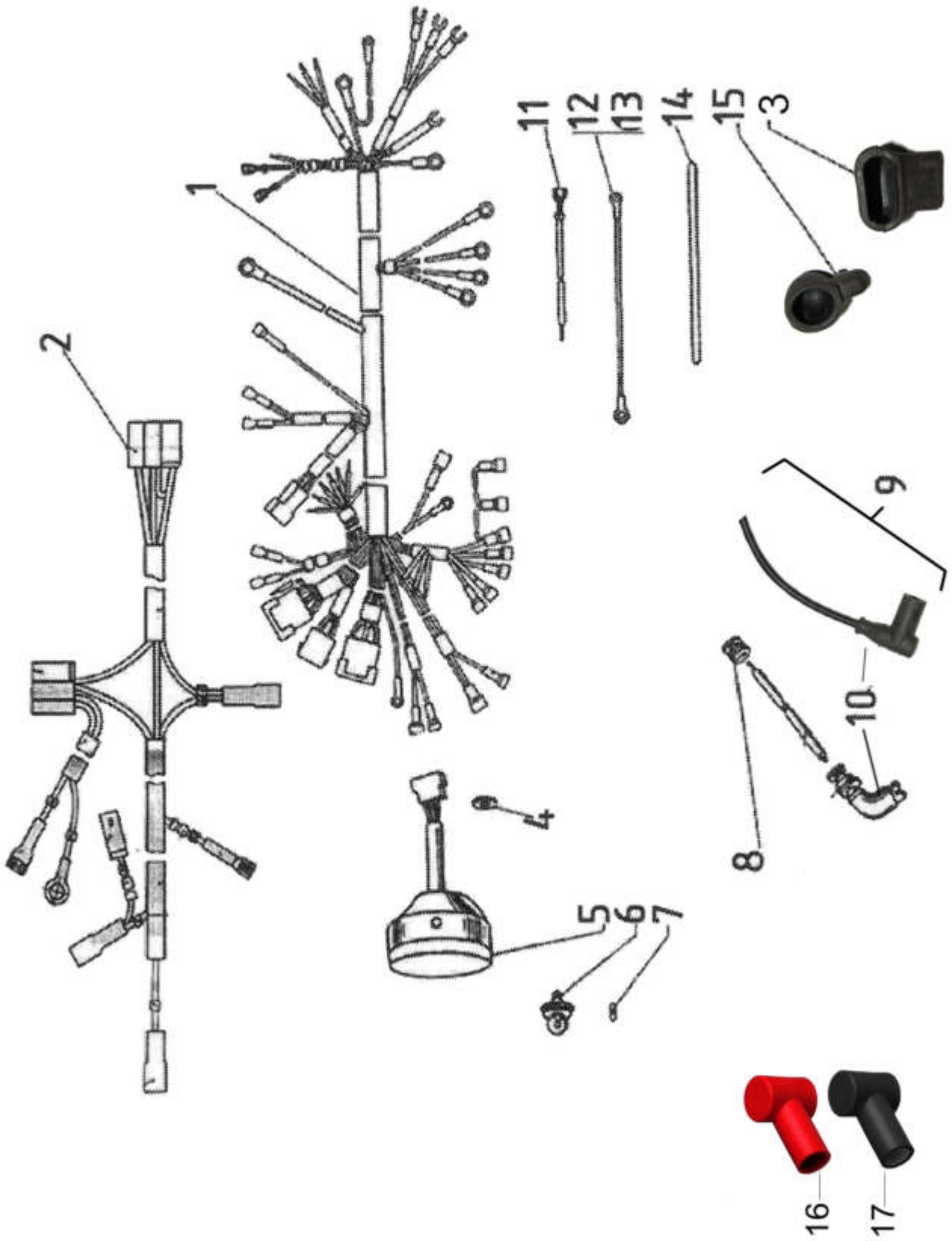


Fig. 47.01

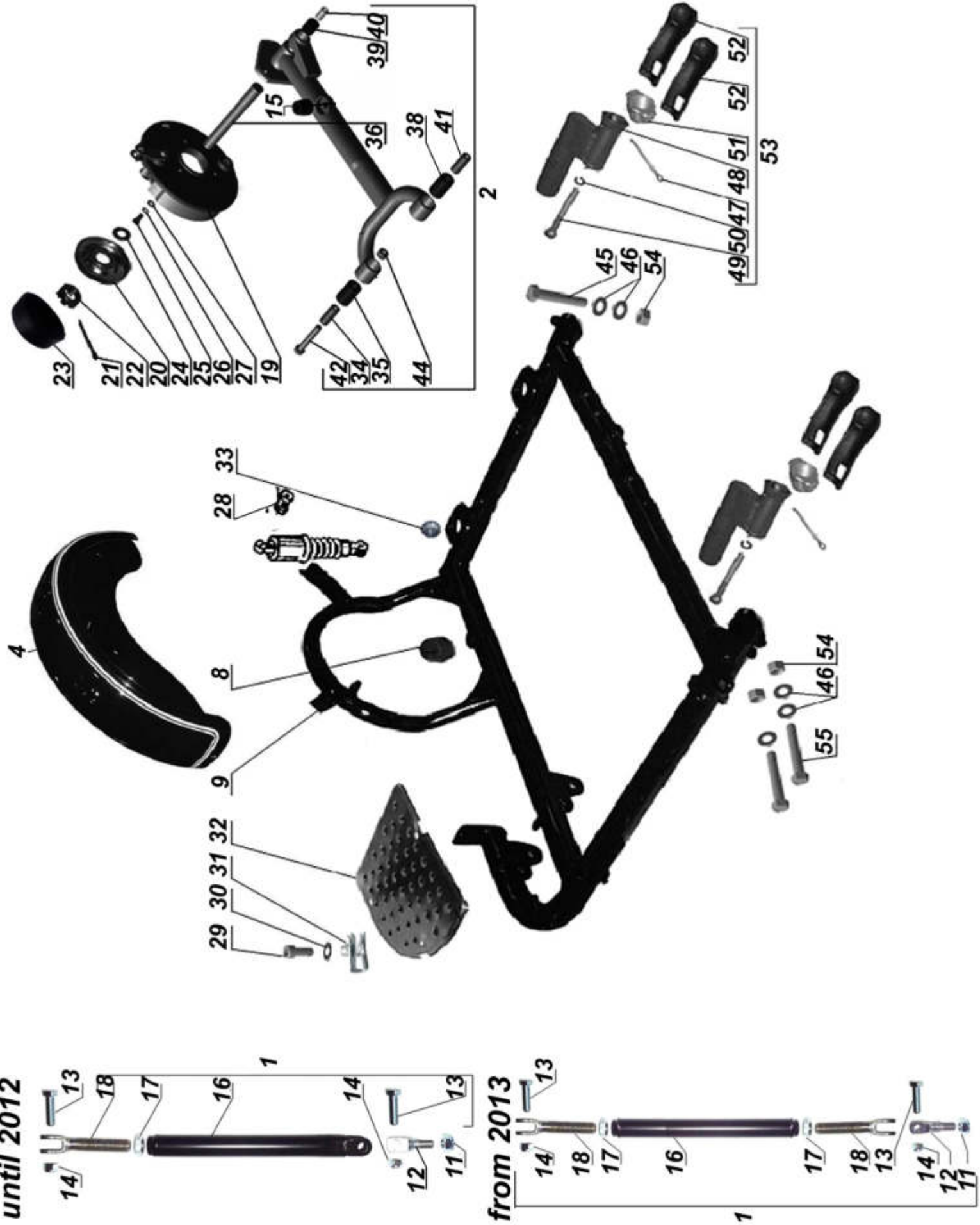


Fig. 47.02

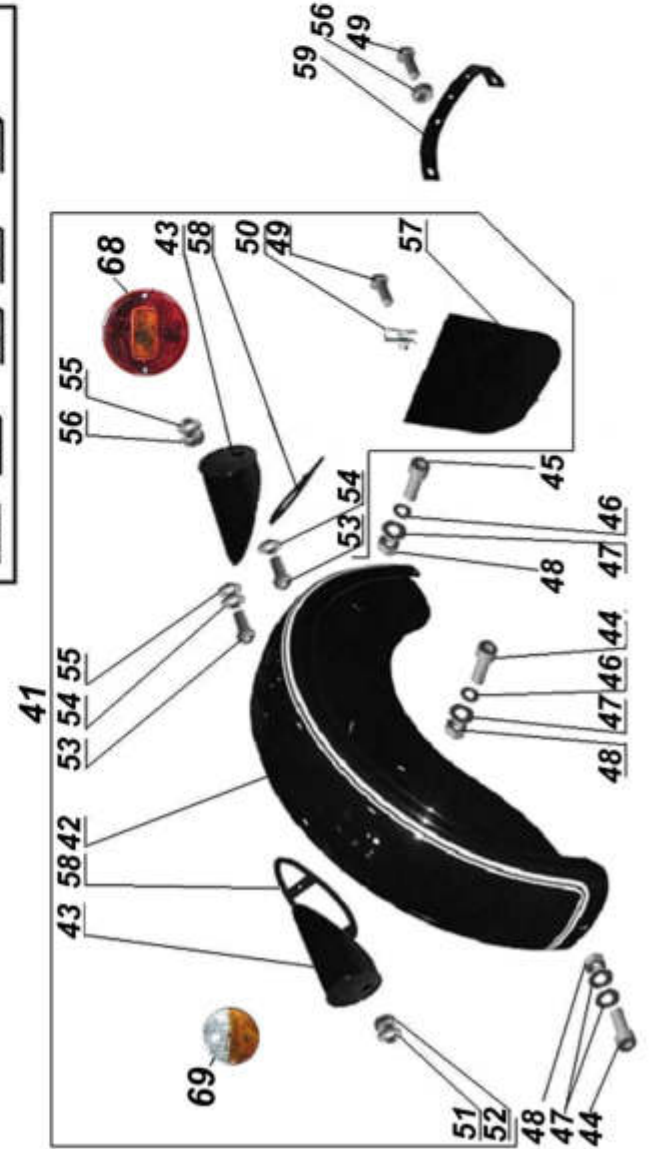
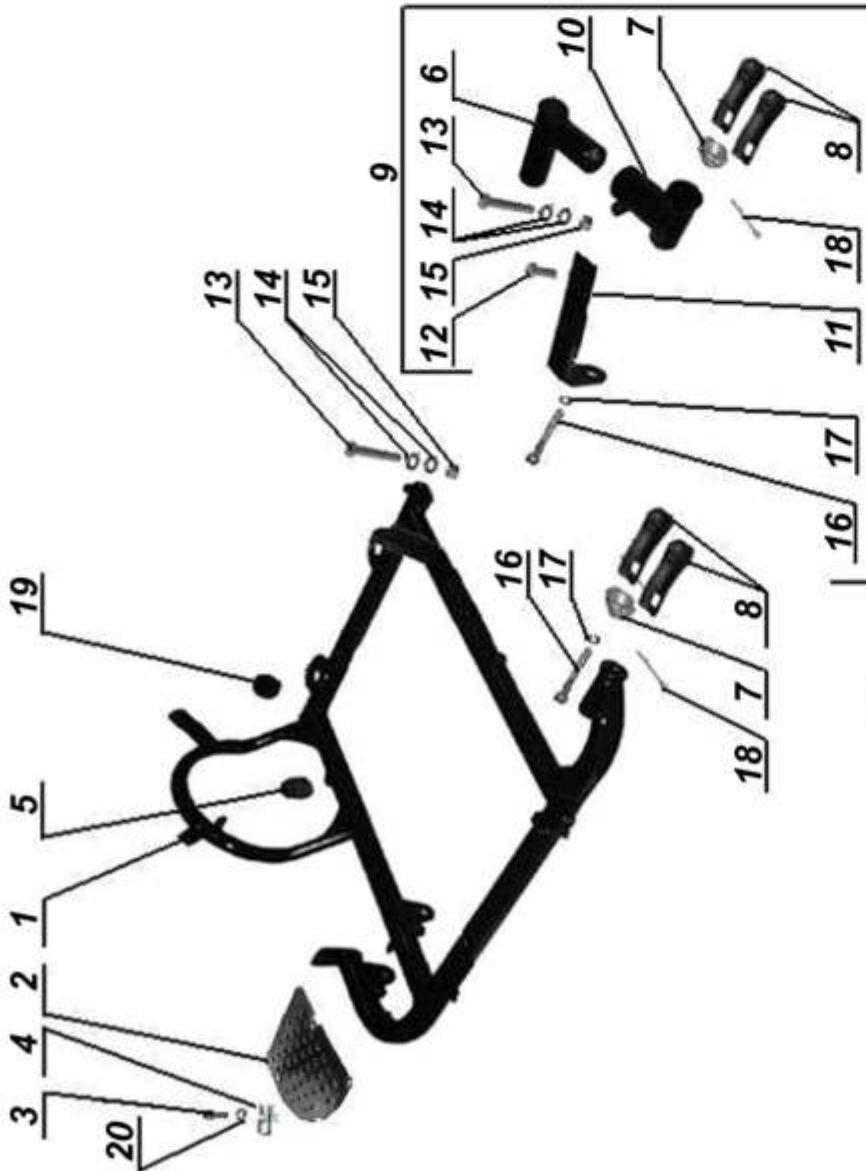
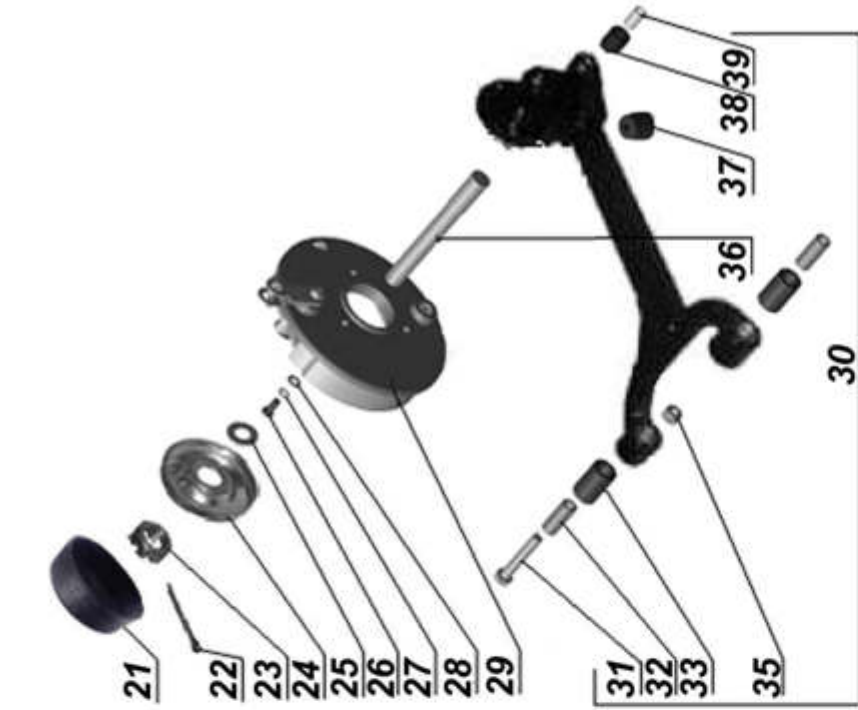


Fig. 48

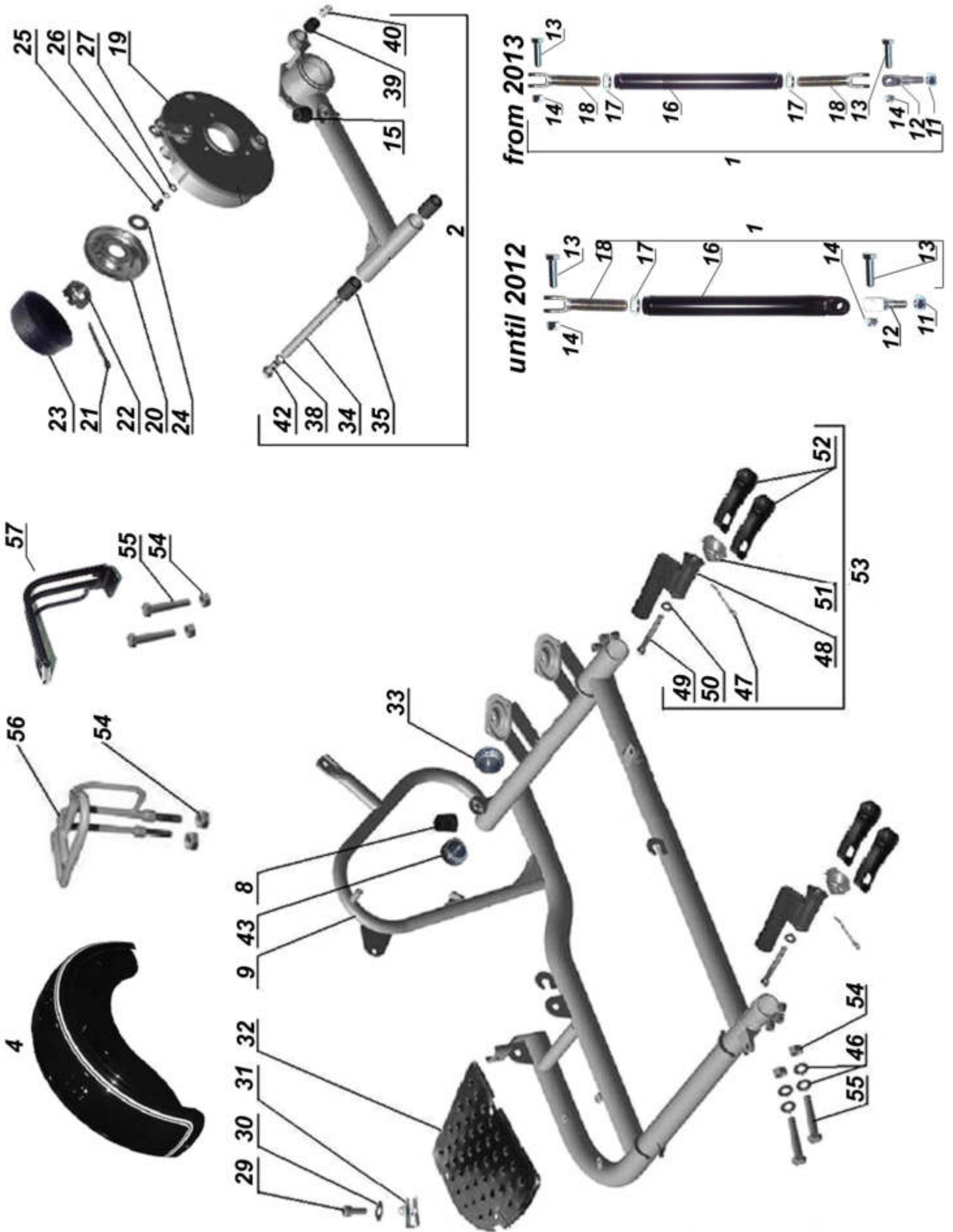


Fig. 49

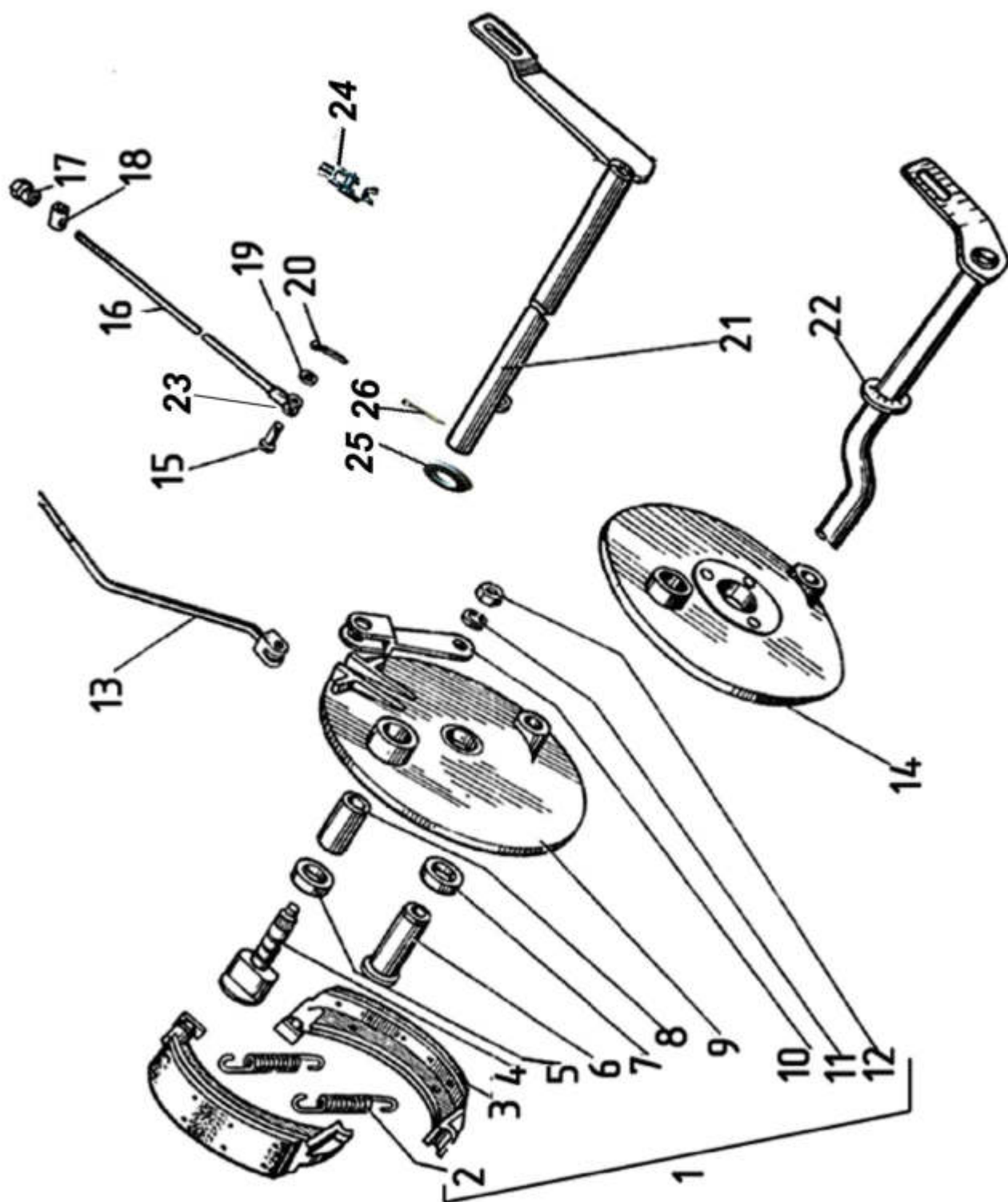
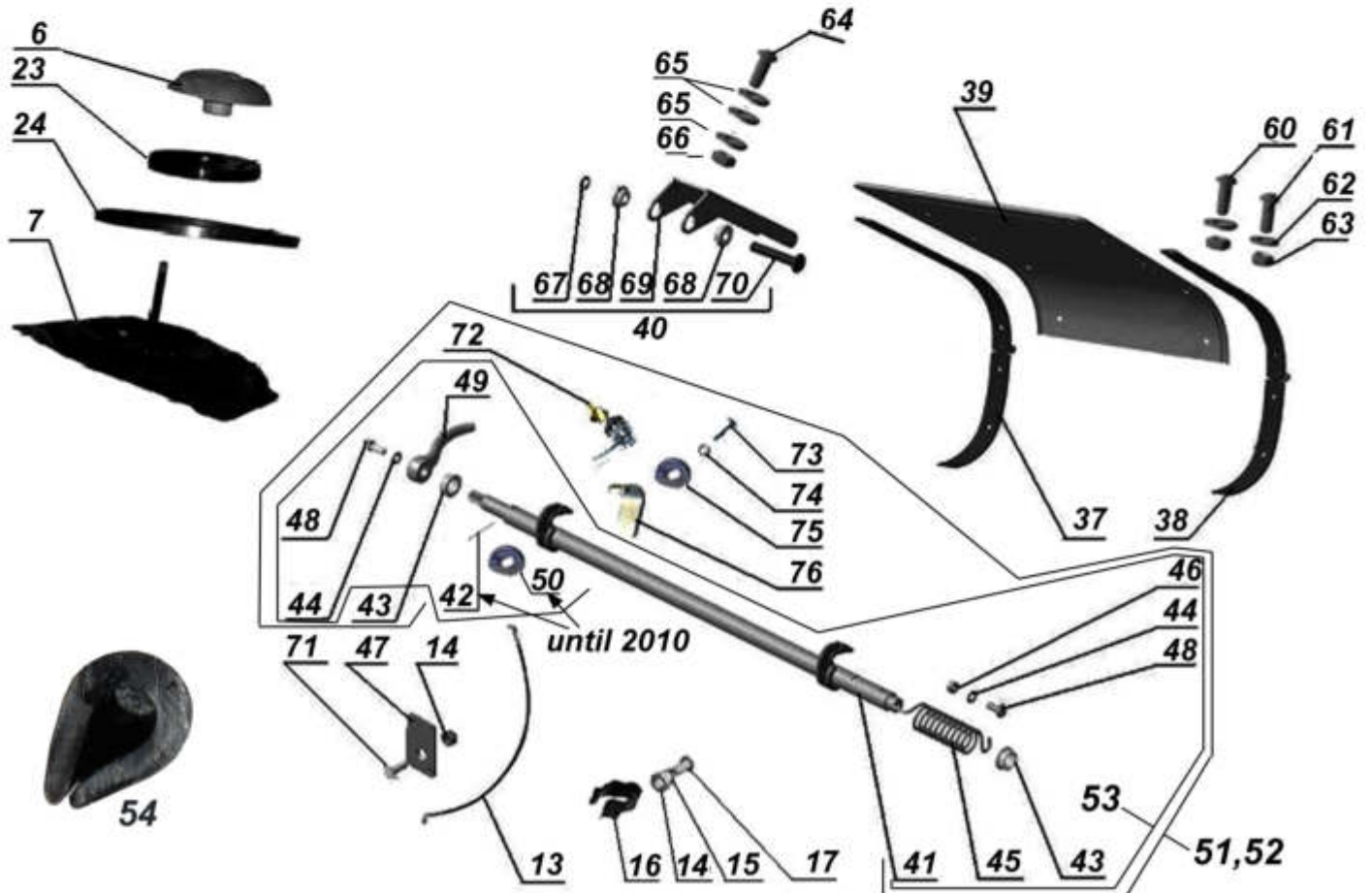
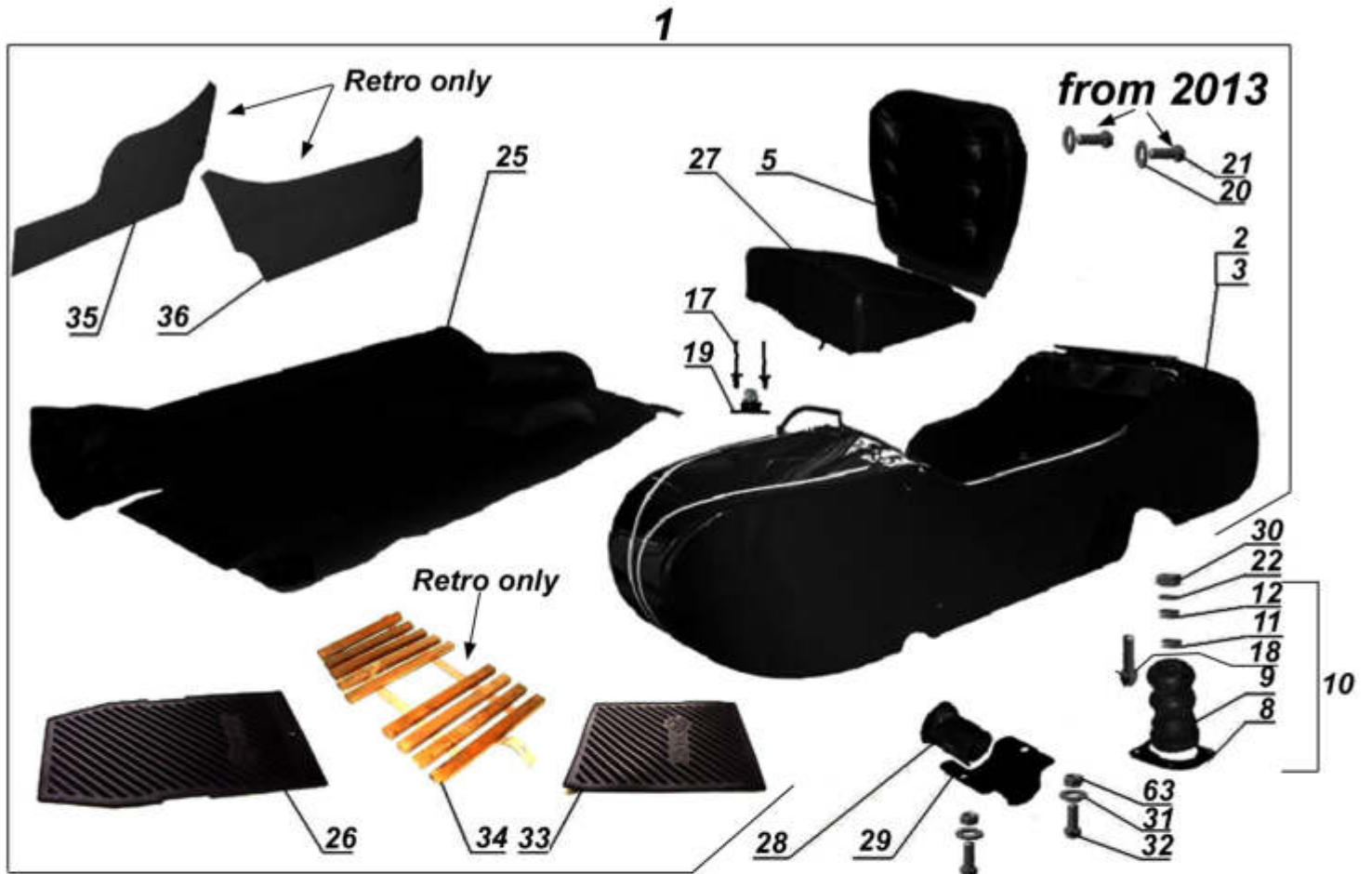
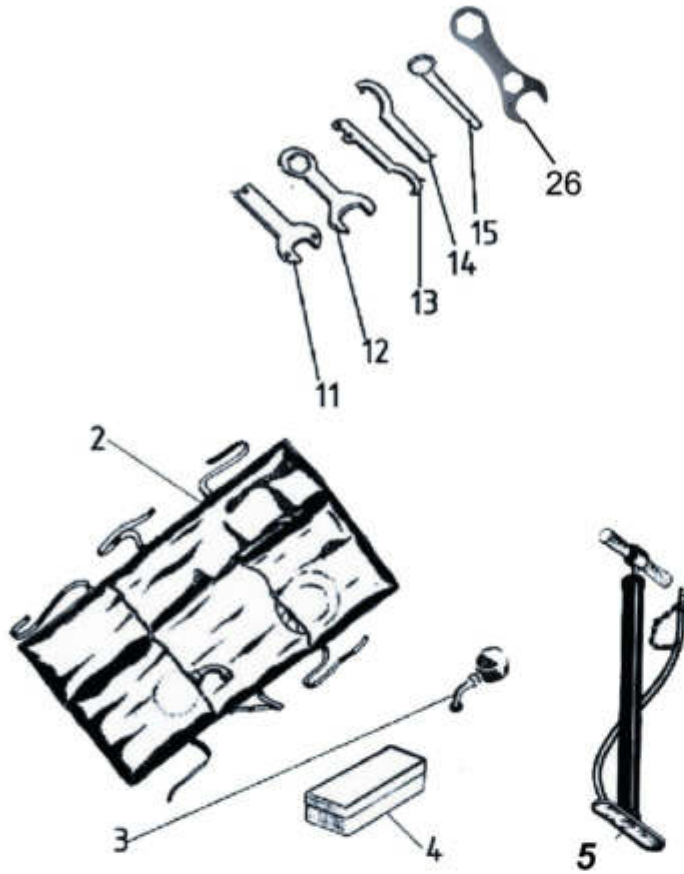


Fig. 50



Conversion kit Pos52 w/o Pos 49/45

Fig. 51



1

2

25



12

11

14

15

17

16

28

27

18